



**ABUS**

Security Tech Germany

**MOBILE SECURITY**  
**CATALOGUE**  
**2024**

## Advantages of the new 2024 catalogue

- Find products quicker and more easily
- Product features instantly visible



Learn more inside!

# PICTOGRAMS



**New product**



**New colour**

## LOC. S



**Double locking**

Dual locking of the shackle in the lock body



**Pocket size**

Lock in small format



**XL size**

Lock in large format



**LED key**

Lighted key included



**Automatic locking**

No active locking with a key required



**Robust webbing**

High-tech mesh, durable and hydrophobic



**Individual code**

Combination code can be freely selected



**Rechargeable**

Rechargeable battery



**Universal fitting**

Thanks to the variable mounting slots the lock can be attached to all common frame fittings



**Battery**

Including battery



**SmartX**

Innovative locking system, controlled via smartphone



**XPlus**

Picking-resistant disc cylinder „XPlus“



**Lightweight**

Lightweight lock, ideal for performance riders



**Alarm**

Lock with 100 dB alarm function



**OEM**

Locks are delivered without sales packaging so they can be mounted more quickly. Ideal for use in workshops

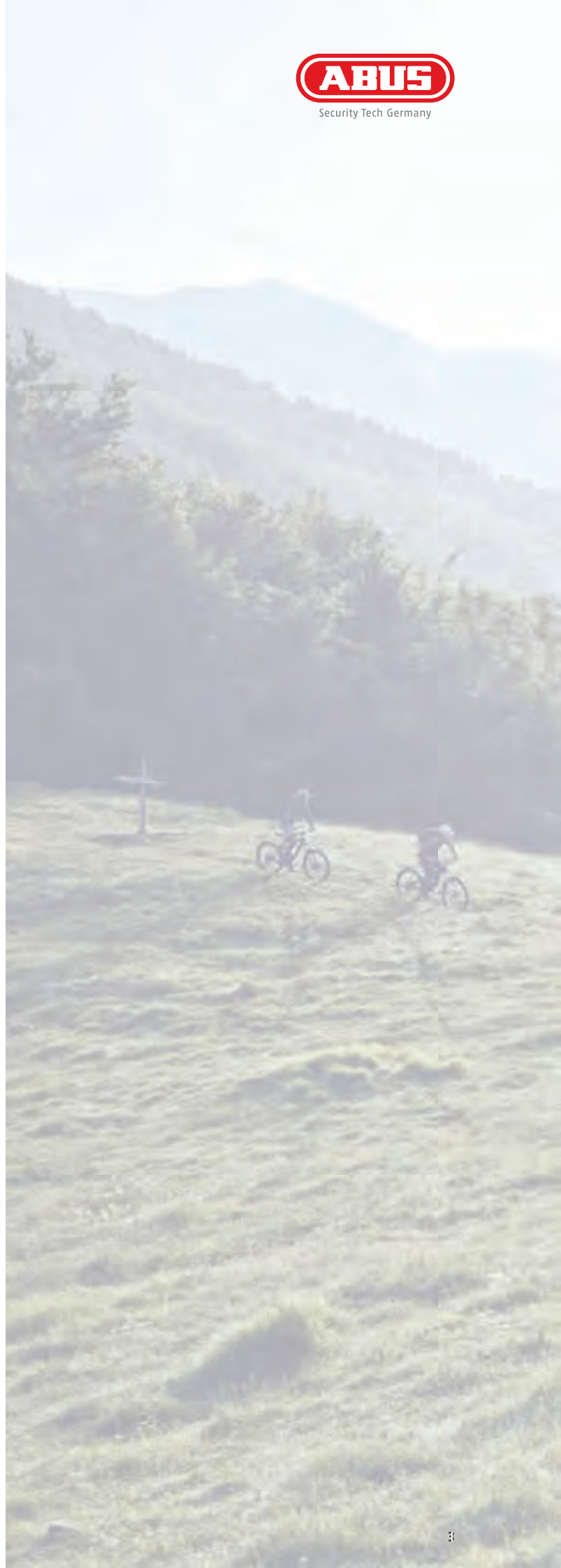


**One Key Option**

Multiple locks can be produced keyed alike and thus operated with one key

# CONTENT

ABUS - Made in Germany .....	005
Approvals .....	006
ONE KEY .....	007
Key Service .....	011
The ABUS Level System .....	012
U-Shackle locks .....	014
Folding locks .....	024
Chain locks .....	036
Goose Lock .....	047
Steel-0-Flex locks .....	051
Coil cable and cable locks .....	055
Frame locks and battery locks .....	059
Special security .....	071
Brackets and Bags .....	083
ABUS OEM .....	090
Lumino .....	092
Shop in Shop .....	101



# ABUS . MADE IN GERMANY

When August Bremicker and his sons founded ABUS in 1924, they had a lot of experience with engineering and craftsmanship – as well as a very clear vision: They wanted to create products that protected human life and property. It was a far-sighted corporate goal – paired with an expectation for quality right from the start. It was the start of a continuous success story. The ABUS brand became a synonym for security world-wide.



## HIGH-QUALITY MATERIALS

To be able to offer consistently high quality and security against every type of brutal and intelligent attack technique, we use the highest-quality materials at every price level. Complex hardening processes guarantee the best resistance in our materials. Our internal quality management check all materials before and during the production process to ensure every product has the high quality you demand.

## THE KEY TO SUCCESS

At ABUS, we design and build the tools and machines used in the production of our products in-house. That bundles knowhow, guarantees jobs, and strengthens identification. Our own engineering and toolmaking department concentrates exclusively on the development of bicycle and motorcycle locks. This ensures that we meet the tough requirements you place on your bicycle or motorcycle lock every day.

## ENSURING CONSISTENCY

In our own ABUS test laboratory, we routinely carry out tests and attacks on our products to ensure our products offer consistently high quality.

Among others we make sure our locks are resistant to:

- Ice spray attacks and freezing conditions at  $-40^{\circ}\text{C}$
- Twisting, pulling, hammering and sawing attacks with help of our manual or mechanical tests
- Rust by simulating highly corrosive weather conditions



# APPROVALS

ABUS locks are tested and approved by independent testing institutions in a number of European countries. As every test lab use different tools, techniques and machines to test both security and quality we are very proud of the high number of different approvals given to ABUS products. If a lock can pass the varying test requirements in many different countries you can be sure it is of the highest possible quality and security.

The following seals of approval confirm the outstanding security of ABUS cycle locks:



Svensk Brand- och  
Säkerhetscertifiering AB  
Stockholm, Sweden



Norges Forsikringsforbund  
Oslo, Norway



Dansk Varefakta Naevn  
Copenhagen, Danmark



Finanssiala  
Helsinki, Finland



ART (ANWB, RAI, Theft Insurers)  
Nieuwegen, The Netherlands



Sold Secure  
Rugby, Great Britain



FUB 2-roues  
Valence, France



Test Seal VdS  
Cologne, Germany



ABUS Seal for Ice Spray Test  
Volmarstein, Germany





## ONE KEY™ SIMPLE. INDIVIDUAL.

### HAVE CUSTOM BIKE LOCKS MADE - OPERATE EVERYTHING WITH JUST ONE KEY!

A primary lock, a frame lock, a padlock, and even a battery lock for e-bikes - if you want to secure your bike properly, you need a lot of locks. That is why we at ABUS, with the ONE KEY system, offer the ability to produce locks for your customers in such a way that they can all be operated with one key. No mess, no looking for keys.

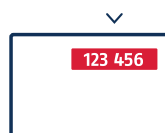
### HOW ONE KEY™ WORKS

It's quite simple. Each ABUS lock has an individual key code with which spare keys or matching "keyed alike" locks can be made - even years after purchase. All that matters is that the locks from ABUS have the same type of cylinder installed.

### HERE'S HOW IT WORKS



The order is conveniently placed via the Partner-Portal.



1. Read key code from code card



2. Choose suitable products at your retailer



3. 1 week to manufacture your custom product



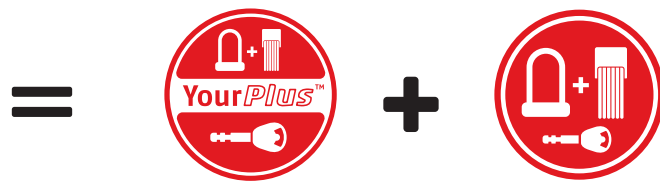
4. Pick up at retailer or ship to home



## FAMILIAR FACE – NEW DESIGN

As a manufacturer of cylinders and bicycle locks, ABUS has the unique opportunity on the market to manufacture custom locks so that they can all be operated with one key – or “keyed alike”. It is important that the locks be compatible with each other for this purpose.

So far we have marked our products and campaigns with these icons:



With YourPlus™, we have combined all locks that have a Plus cylinder.

This icon currently indicates that this lock can be keyed alike.

**FROM NOW ON, WE'RE BRINGING EVERYTHING TOGETHER UNDER ONE KEY™ – A CLEAR PROMISE FOR MORE CONVENIENCE.**

## OVERVIEW OF KEYED ALIKE PRODUCTS

### PRODUCTS WITH XPLUS CYLINDER

GRANIT™ Super Extreme 2500  
 GRANIT™ Extreme 59  
 GRANIT XPlus™ 540  
 BORDO GRANIT XPlus™ 6500K  
 BORDO GRANIT XPlus™ 6500KA  
 BORDO™ 6000K  
 BORDO™ 6000KA  
 Steel-0-Chain™ 9809K  
 Steel-0-Chain™ 9808K  
 GRANIT City Chain XPlus™ 1060  
 6950M XPlus™

### PRODUCTS WITH PLUS CYLINDER

GRANIT™ Plus 640  
 GRANIT™ Plus 470  
 CityChain™ 1010

### EC CYLINDER

GRANIT™ 460  
 PHANTOM™ 8960

Surcharge  
 for manufacturing  
**only 10%**  
 of the price  
 of the lock



## MAXIMUM CONVENIENCE FOR YOUR CUSTOMERS

- + no chaos, no looking for keys
- + for e-cyclists with battery lock, frame lock, bike lock
- + for families with multiple locks
- + for couples or friends sharing their bike



# ONE KEY PRICE LIST

U-SHACKLE LOCKS	
AX98210KA	2500/165AB230 +USH2500 gl. Granit Super Extreme
AX95475KA	540/160HB300+SH B gl. One Key GRANIT XPLUS
AX95474KA	540/160HB230+SH B gl. One Key GRANIT XPLUS
AX4409KA	540/160HB300+EaZy KF gl. One Key GRANIT XPLUS
AX4407KA	540/160HB230+EaZy KF gl. One Key GRANIT XPLUS
AX4410KA	540/160HB300+USH540 gl. One Key GRANIT XPLUS
AX4408KA	540/160HB230+USH540 gl. One Key GRANIT XPLUS
AX70665KA	540/160HB300 gl. One Key GRANIT XPLUS
AX4411KA	540/160HB230 gl. One Key GRANIT XPLUS
AX81461KA	640/135HB230 BK TexKF gl. One Key GRANIT PLUS
AX81460KA	640/135HB150 BK gl. One Key GRANIT PLUS
AK81459KA	640/135HB150 BK/RD gl. One Key GRANIT PLUS
AX95473KA	470/150HB300+SH B gl. One Key GRANIT PLUS
AX95472KA	470/150HB230+SH B gl. One Key GRANIT PLUS
AX81464KA	470/150HB300+EaZy KF gl. One Key GRANIT PLUS
AX81462KA	470/150HB230+EaZy KF gl. One Key GRANIT PLUS
AX81465KA	470/150HB300+USH gl. One Key GRANIT PLUS
AX81463KA	470/150HB230+USH gl. One Key GRANIT PLUS
AX95471KA	460/150HB300+SH B gl. One Key GRANIT
AX95470KA	460/150HB230+SH B gl. One Key GRANIT
AX4417KA	460/150HB300+USH gl. One Key GRANIT
AX4416KA	460/150HB230+USH gl. One Key GRANIT
FOLDING LOCKS	
AX67593KA	6500K/120 BK SH gl. One Key BORDO Granit XPlus
AX91203KA	6500K/90 BK SH gl. One Key BORDO Granit XPlus
AX64172KA	6500KA/90 BK SH gl. One Key BORDO Granit XPlus
AX67533KA	6000K/120 BK SH gl. One Key BORDO Big
AX67509KA	6000K/90 BK SH gl. One Key BORDO

FOLDING LOCKS	
AX67464KA	6000K/120 BK ST gl. One Key BORDO Big
AX67463KA	6000K/90 BK ST gl. One Key BORDO
AX67614KA	6000KA/120 BK SH gl. One Key BORDO Big Alarm
AX67608KA	6000KA/90 BK SH gl. One Key BORDO Alarm
AX81380KA	6000/120 BK SH gl. One Key BORDO Big
AX72987KA	6000/90 BK SH gl. One Key BORDO
AX83747KA	6000A/120 BK SH gl. One Key BORDO Big Alarm
AX80940KA	6000A/90 BK SH gl. One Key BORDO Alarm
AX34572KA	5900/90 BK ST gl. One Key BORDO Classic
AX78065KA	6055K/60 BK gl. One Key BORDO LITE MINI
AX82573KA	6055K/60 MOVISTAR gl. One Key BORDO LITE MINI
AX82574KA	6055K/60 RD gl. One Key BORDO LITE MINI
CHAIN LOCKS	
AX42277KA	1060/170 gl. One Key City Chain XPlus
AX42275KA	1060/140 gl. One Key City Chain XPlus
AX30595KA	1060/110 gl. One Key City Chain XPlus
AX42276KA	1060/85 gl. One Key City Chain XPlus
AX21578KA	1010/170 black gl. One Key City Chain
AX21577KA	1010/140 black gl. One Key City Chain
AX21576KA	1010/110 black gl. One Key City Chain
AX71549KA	1010/85 black gl. One Key City Chain
AX95555KA	9809K/140 BK gl. One Key Steel-0-Chain
AX95556KA	9809K/170 BK gl. One Key Steel-0-Chain
AX95554KA	9809K/110 BK gl. One Key Steel-0-Chain
AX95553KA	9809K/85 BK gl. One Key Steel-0-Chain

**CHAIN LOCKS**

AX97171KA	9808K/170 BK gl. One Key Steel-0-Chain
AX97170KA	9808K/140 BK gl. One Key Steel-0-Chain
AX97169KA	9808K/110 BK gl. One Key Steel-0-Chain
AX97172KA	9808K/85 BK gl. One Key Steel-0-Chain

**STEEL-0- FLEX LOCKS**

AX77088KA	8960/110 TexFL gl. One Key PHANTOM
AX78593KA	8960/85 KF gl. One Key PHANTOM

**FRAME LOCKS**

AX96220KA	6950M AM NR BK OE gl. One Key XPLUS
AX95905KA	6950M AM R BK OE gl. One Key XPLUS
AX96218KA	6950ML NR BK OE gl. One Key XPLUS
AX96219KA	6950ML R BK OE gl. One Key XPLUS
AX90764KA	5955 NR BK gl. One Key PRO SHIELD XPLUS
AX91147KA	5955 R BK gl. One Key PRO SHIELD XPLUS
AX91145KA	5755L NR BK OE gl. One Key SHIELD XPLUS
AX91146KA	5755L R BK OE gl. One Key SHIELD XPLUS
AX79846KA	5950 NR BK gl. One Key PRO SHIELD
AX87766KA	5950 R BK gl. One Key PRO SHIELD
AX81477KA	5750L NR BK gl. One Key SHIELD PLUS
AX81476KA	5750L R BK gl. One Key SHIELD PLUS

**BATTERY LOCKS**

AX95510KA	BLO B0S IT3 XPlus OE gl.
AX95511KA	BLO B0S IT2.1 XPlus OE gl.
AX83447KA	BLO B0S IT2.1 PLUS gl.
AX90730KA	BLO B0S DT3 XPlus OE gl.
AX68734KA	BLO B0S DT2 XPlus OE gl.
AX81479KA	BLO B0S DT2 PLUS gl.
AX90913KA	BLO B0S RT2 XPlus OE gl.

**BATTERY LOCKS**

AX73289KA	BLO B0S RT2 PLUS gl.
AX91226KA	BLO CUB IT2.B3 XPlus OE gl.
AX91225KA	BLO CUB IT2 XPlus OE gl.
AX96627KA	BLO CUB IT2 Plus OE gl.
AX91224KA	BLO CUB IT1.B3 XPlus OE gl.
AX91223KA	BLO CUB IT1 XPlus OE gl.
AX95514KA	BLO CUB IT1 PLUS OE gl.
AX95529KA	BLO KTM IT1 XPlus OE gl.
AX95512KA	BLO SHI IT2 XPLUS OE gl.
AX95519KA	BLO SHI IT2 PLUS OE gl.
AX83451KA	BLO SHI DT1 PLUS OE gl.
AX95521KA	BLO WIN IT4 PLUS OE gl.
AX87544KA	BLO WIN IT3 PLUS OE gl.
AX87543KA	BLO WIN IT2 PLUS OE gl.
AX87542KA	BLO WIN IT1 PLUS OE gl.
AX95520KA	BLO ZEG IT5 PLUS OE gl.
AX95513KA	BLO ZEG IT4 XPlus OE gl.
AX95517KA	BLO ZEG IT4 PLUS OE gl.
AX95516KA	BLO ZEG IT3 PLUS OE gl.

To order your Keyed Alike lock, simply contact your FMD or PSI Cycling Customer Service with the following information.

**WHAT IS REQUIRED:**

- Account Name:
- Account Number:
- Key ID:
- QTY:
- Order Ref:




# KEY SERVICE

The ABUS key service allows you to order new keys for existing locks.

## WHAT IS REQUIRED:

- Account Name:
- Account Number:
- Key ID:
- QTY:
- Order Ref:

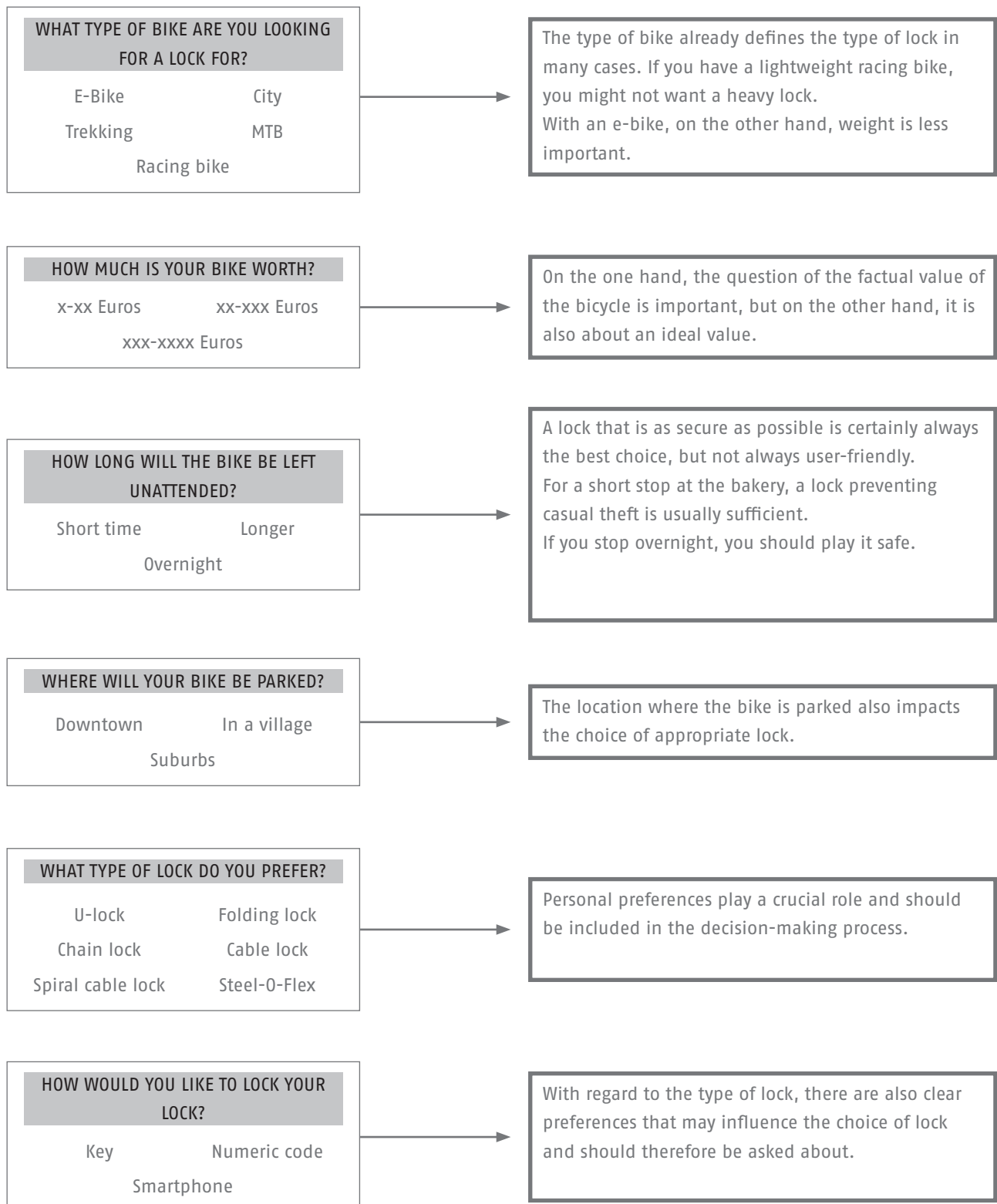


	Cylinder type	Item no
	XPlus	AXSERPLUS
	Plus	AXSERPLUS
	T82	AXSERWAFER

# THE ABUS LEVEL SYSTEM

Finding the right lock for your customer requires a few questions that can help in the selection process. A lock must not only be secure, it must also suit the user.

The questions below can help you figure out what your customer is looking for:



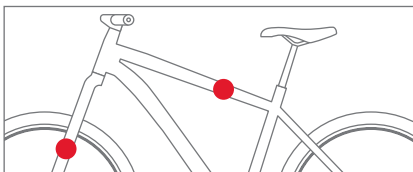
In the sales conversation, you get the best feel for your customer and a sense for what they value.

Many questions are rather soft factors and have an influence on the choice of the lock, but not so much on the choice of the appropriate security level.

The most important factors in determining the level of protection required are the bicycle value, location and length of time the bike is left.

For this, we recommend the following reference:

	Rural region 	Suburban 	Urban 
Quickstop	2 - 4	7 - 10	13 - 15
Few hours	5 - 6	10 - 13	13 - 15
All day	6 - 7	13 - 15	15
Overnight	7 - 10	15	15



Lock your bike in illuminated and well frequented areas.

Secure you bike to an immovable object and lock both, frame and front wheel.

Keep the lock as high as possible and pass it through the frame as much as you can. This makes it harder to attack.

**U-SHACKLE LOCKS**





# GRANIT™ EXTREME 59

## SECURITY LEVEL



Security Level  
Motorbike

## FEATURES



XPlus™



SH 59



## TECHNICAL DATA



- 16 mm square parabolic shackle
- Double-locking mechanism securing the shackle in the lock body
- The shackle, the lock body and the structural parts of the locking mechanism are manufactured using specially hardened steel
- ABUS XPlus cylinder for exceptionally high protection against manipulation attempts such as picking
- Two keys are included in the scope of delivery
- Manual cover to protect the keyhole from dirt and corrosion
- ABUS Code Card for additional and replacement keys

## TECHNOLOGY



## TEST SEALS



Ref. No.	EAN 4003318	 mm	 mm	 mm	Weight g	Box Qty
59/180HB245	AX58606	111	245	19	2600	1



# GRANIT™ SUPER EXTREME 2500

★  
NEW

U-Shackle locks

## SECURITY LEVEL



## FEATURES



USH2500



## TECHNICAL DATA

- Hardened 20 mm square parabolic shackle with 7 mm plastic coating
- The lock shackle and body are better protected against brutal saw attacks with angle grinders thanks to a special tungsten carbide compound
- Double locking of the shackle in the lock body
- The shackle, housing and structural parts of the locking mechanism are made of specially hardened steel
- ABUS XPlus™ cylinder for extremely high protection against manipulation, e.g. picking
- ABUS Power Cell technology offers maximum protection against impacts and attempts to break open the lock
- Two keys included in the scope of delivery
- ABUS Code Card for spare and replacement keys
- Suitable holder USH 2500 for transport on the rack, rear of the bike, etc.
- Simplified mounting of USH 2500 as holder can be swivelled axially for attachment
- Flexible and firm holder fixation with coated metal fixing straps

## TECHNOLOGY



## TEST SEALS



Ref. No.	EAN 4003318	mm	mm	mm	Weight g	Box Qty
2500/165HB230 + USH2500	AX96050	102	230	27	2520	1

# GRANIT™ XPLUS™ 540

## SECURITY LEVEL



## FEATURES



## TECHNICAL DATA

- 13 mm hardened square shaft parabolic shackle
- ABUS power cell technology offers the highest level of protection against impacts and attempts to break open the lock
- The shackle, housing and the structural parts of the locking mechanism are made of specially hardened steel
- ABUS XPlus cylinder for the highest level of protection against tampering, e.g. picking
- Automatic keyhole cover to protect against dirt and corrosion

## TECHNOLOGY



## TEST SEALS



1) 30330

## Ref. No.

EAN  
4003318



mm



mm



mm

Weight  
g

Box  
Qty

540/160HB230 + USH540

AX11186

108

230

17

1650

4

# GRANIT™ PLUS 640

## SECURITY LEVEL



## FEATURES



Plus



## TECHNICAL DATA

- Hardened 12 mm round shackle
- The shackle, the lock body and the structural parts of the locking mechanism are manufactured using specially hardened steel
- Priority given to the use of weight-optimised special alloys and lightweight materials
- ABUS Plus cylinder including automatic cover for maximum protection against attempts at manipulation, e.g. picking

## TECHNOLOGY



## TEST SEALS



1) Only for SE-version (Art.-No. 72509), 2) 31644

Ref. No.

EAN  
4003318



mm



mm



mm

Weight  
g

Box  
Qty

640/135HB150 red

AX39704

83

150

15

800

4

# GRANIT™ PLUS 470

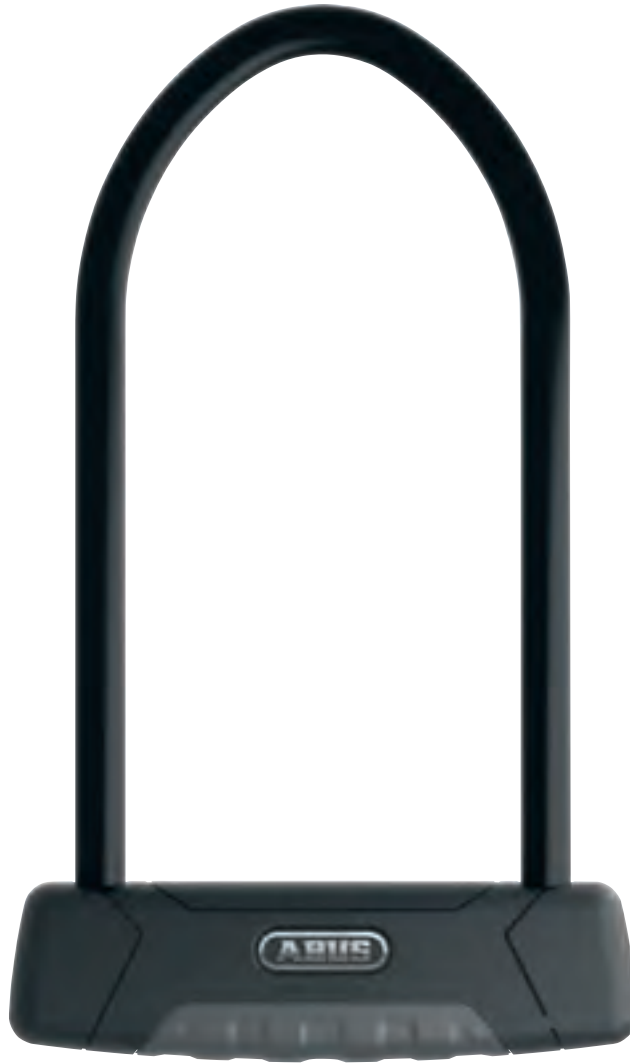
## SECURITY LEVEL



## FEATURES



Plus



## TECHNICAL DATA

- Hardened 12 mm parabolic shackle
- ABUS Power Cell technology provides outstanding protection against attempts to remove the lock by hitting or pulling
- The shackle, the body and the load-bearing parts of the locking mechanism are manufactured from specially hardened steel
- Automatic cover to protect the keyhole from contamination and corrosion

## TECHNOLOGY



## TEST SEALS



1) 30328

Ref. No.

EAN  
4003318



mm



mm



mm

Weight  
g

Box  
Qty

470/150HB230 + EZKF

AX11189

109

230

14

1290

1

# ULTIMATE 420

## SECURITY LEVEL



## FEATURES



USH



## TECHNICAL DATA

- Hardened 13 mm round bracket
- The shackle, housing and supporting parts of the locking mechanism are made of specially hardened steel
- Special, modern design of the lock body sheathing enables optimum handling
- High-quality locking cylinder for high protection against manipulation, e.g. picking

## TECHNOLOGY



## TEST SEALS



1) 33241

## Ref. No.

EAN  
4003318



mm



mm



mm

Weight  
g

Box  
Qty

420/150HB140 + USH Ultimate

AX81 689

80

140

17

900

6

# ULTRA 410

## SECURITY LEVEL



## FEATURES



Support USH 34



## VERSIONS



410/150HB140



410/150HB140 + 10/120



410/150HB180 + 10/120

## TECHNICAL DATA

- Hardened 12 mm round shackle
- The shackle, body and the structural parts of the locking mechanism are made of specially hardened steel
- The special, modern design of the lock body casing allows for optimum handling
- High-quality locking cylinder for a high level of protection against tampering, e.g. picking

## TECHNOLOGY



## TEST SEALS



Ref. No.	EAN 4003318	mm	mm	mm	Weight g	Box Qty
410/150HB140 green SH34	AX34594	80	140	14	755	6
410/150HB140 green SH34 + Cobra 10/120	AX34596	80	140	14	755 + 340	6
410/170HB230 green SH34 Ultra	AX34591	110	230	14	1000	6
410/170HB230 green SH34 Ultra + Cobra 10/120	AX34590	110	230	14	1000 + 340	6

# 402

## FEATURES



Support USH 34

## SECURITY LEVEL



Ref. No.

402/170HB230 yellow SH34



## TECHNICAL DATA

- 11 mm, hardened steel round shackle
- Double-locking mechanism securing the shackle in the lock body
- The shackle, the body and the load-bearing parts of the locking mechanism are manufactured using specially hardened steel
- Special, modern design of the lock body casing allows for optimum handling

## TEST SEALS



## TECHNOLOGY



EAN  
4003318



mm



mm



mm

Weight  
g

Box  
Qty

AX86742

110

230

11

890

6

## FOLDING LOCKS



ABUS one™

GUTEN TAG,  
MARVIN

WEIGKEITEN +

MOBILE SCHLÖSSER 3 -

BREMSSCHEIBENSCHLOSS

STRECKT ANSCHLIEßEND: 100 T. 1000...



BÜGELSCHLOSS

• verteidigen

BORDO

• verteidigen

→ mehr ABUS Locks entdecken

DEINE COLLECTION

VERWALTE DEINE COLLECTION





**BORDO™  
6500A SMARTX**



6500A/110  
black

**BORDO RANIT  
6500K**



6500K/90  
black



6500K/120  
black

**BORDO™  
6000KA**



6000KA/90  
black



6000KA/120  
black

**BORDO™  
6000K**



6000K/90  
black



6000K/120  
black

**BORDO™  
6000C**



6000C/90  
black

**UGRIP BORDO™  
5700K**



black

**UGRIP BORDO™  
5700C**



black

**BORDO™  
LITE 6050K**



black



red

**BORDO™  
LITE 6055C**



black



# BORDO™ 6500A SMARTX

## SECURITY LEVEL



## FEATURES



Bracket SH BORDO 6500A  
SmartX



SmartX RC



Controlled by iOS- and Android Smartphones or using the Smart Remote (available separately)

## TECHNICAL DATA

- 5.5 mm thick bars, with extra-soft 2-component coating
- Easy operation via the ABUS One app (previously SmartX) – for iOS and Android
- Bike lock can be opened and locked without a key – keyless function based on proven ABUS SmartX™ Bluetooth® technology
- Alarm function with min. 100 dB for 15 seconds, then automatic re-arming
- 3D position detection – detects vibrations and the smallest of movements in all three dimensions and triggers an alarm
- Smart alarm – the lock only emits a short warning tone in the event of minor and brief vibrations, e.g. if a football bounces nearby
- USB-C port
- Storage of the bike's last parking location
- LED light indicates battery and charging status
- RC variant can be operated via included remote control (for all other variants, the remote control is available separately)
- Incl. holder (SH)


## TECHNOLOGY



## TEST SEALS



## Ref. No.

Ref. No.	EAN 4003318	 cm	Weight g	Box Qty
6500A/110 black SH SmartX™	AX61495	110	2300	3

# BORDO GRANIT™ 6500K

## SECURITY LEVEL



## FEATURES



Bracket SH 6500K/90



## VERSIONS



6500K/90 Twinset



6500K/120

## TECHNICAL DATA

- 5.5 mm thick bars, extra-soft coating to prevent damage to paintwork
- The bars, housing and the structural parts of the locking mechanism are manufactured from specially hardened steel
- ABUS Link-Protection-Shield offers high protection at the links
- ABUS XPlus cylinder for the greatest protection against manipulation, e.g. picking
- This lock can be made keyed alike to a variety of other locks
- Incl. SH lock carrier for transport on the bike

## TECHNOLOGY




## TEST SEALS



1) 37547

## Ref. No.

Ref. No.	EAN 4003318	 cm	Weight g	Box Qty
6500K/90 black SH	AX61498	90	1670	4
6500K/120 black SH	AX62115	120	2470	3

# BORDO™ 6000KA

## SECURITY LEVEL



## FEATURES



XPlus™



Bracket SH 6000/90



Bracket SH 6000/120



## VERSIONS



6000KA/120 BK SH

## TECHNICAL DATA

- 5 mm bars with extra-soft yet resistant coating to prevent damage to paintwork
- The bars and body are made of specially hardened steel
- Alarm at a volume of at least 100 dB for 20 seconds, followed by automatic re-arming
- 3D position detection - detects vibrations and the smallest of movements in all three dimensions and triggers an alarm
- Smart alarm – the lock only emits a small warning beep in the event of minor and brief vibrations, e.g. if a football bounces nearby
- Acoustic signal indicates battery status and active status
- Bars are connected by special rivets
- ABUS XPlus cylinder for the greatest protection against manipulation, e.g. picking
- SH carrier included
- Transport position - do not insert the locking bar completely, so that the alarm is inactive
- Alarm position - insert locking bar completely; the alarm will be activated after locking
- Loudspeaker shielded behind locking bar

## TECHNOLOGY



## TEST SEALS



## Ref. No.

EAN  
4003318



cm

Weight  
g

Box  
Qty

6000KA/90 black SH

AX61500

90

1450

4

6000KA/120 black SH

AX62090

120

1700

4

# BORDO™ 6000K

## SECURITY LEVEL



## FEATURES



XPlus™



Bracket SH 6000/90



Bracket SH 6000/120



## VERSIONS



6000K/120

Folding locks

## TECHNICAL DATA

- 5 mm bars with extra-soft yet resistant coating to prevent damage to paintwork
- The bars and the housing are made of specially hardened steel
- Bars are connected by special rivets
- ABUS XPlus cylinder for extremely high protection against manipulation, e.g. picking

## TECHNOLOGY



## TEST SEALS



Ref. No.	EAN 4003318	 cm	Weight g	Box Qty
6000K/90 black SH	AX62094	90	1330	4
6000K/90 black SH TwinSet	AX62095	90	1330 per lock	2
6000K/120 black SH	AX62091	120	1546	4

# BORDO™ 6000C

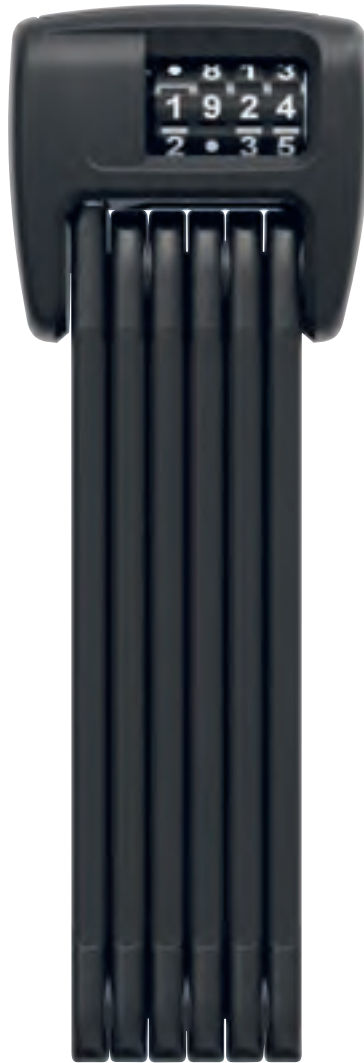
## SECURITY LEVEL



## FEATURES



Bracket SH 6000/90



## TECHNICAL DATA

- 5 mm bars with extra-soft yet resistant coating to prevent damage to paintwork
- The bars and the housing are made of specially hardened steel
- Bars are connected by special rivets
- Two-component code dials ensures long-lasting legibility
- Opening code can be set individually
- Incl. SH holder

## TECHNOLOGY



## TEST SEALS



## Ref. No.

6000C/90 black SH

EAN  
4003318



cm

Weight  
g

1050

Box  
Qty

4

AX67599

90

# UGRIP BORDO™ 5700K

## SECURITY LEVEL



## FEATURES



Bracket SH 5700/80



Bracket SH 5700K/100



## VERSIONS



5700K/100 black

## TECHNICAL DATA

- 5 mm steel bars
- Colour-matching lock body (only "core" colours)
- Bars are linked with special rivets
- High-quality automatic cylinder
- The "convenient transport mode" (CTM) provides an immediate use of the lock (only 5700/100)

## TECHNOLOGY



## TEST SEALS



## Ref. No.

EAN  
4003318



cm

Weight  
g

Box  
Qty

5700K/80 black SH

AX84425

80

960

6

5700K/100 black SH

AX86743

100

1090

6



# UGRIP BORDO™ 5700 COMBO

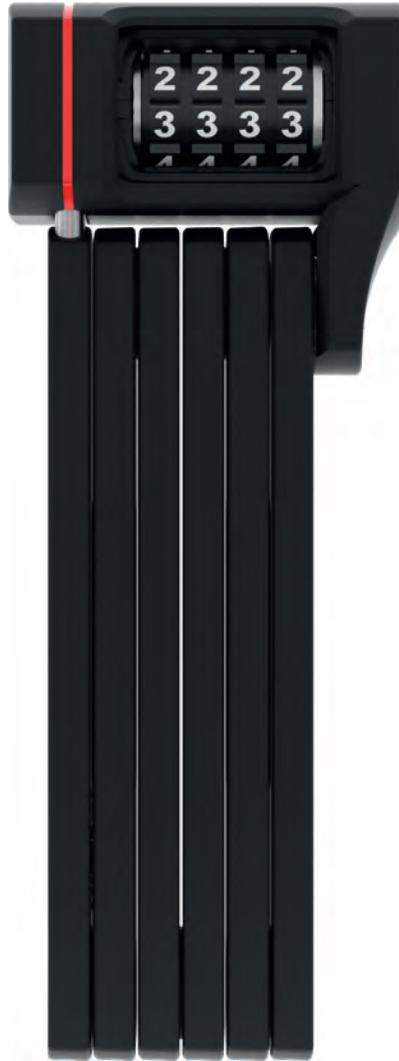
## SECURITY LEVEL



## FEATURES



SH 5700/80



Folding locks

## TECHNICAL DATA

- 5 mm steel bars
- Bars are linked with special rivets
- Two component moulded digits guarantee life-long visibility
- Individually settable code

## TECHNOLOGY



## TEST SEALS



## Ref. No.

5700C/80 black SH

EAN  
4003318

AX87791



cm

80

Weight  
g

960

Box  
Qty

6

# BORDO™ LITE 6055K

## SECURITY LEVEL



## FEATURES



Bracket SH 6055



## VERSIONS



black

## TECHNICAL DATA

- Special steel design, with colour-coordinated plastic casing to prevent damage to paintwork
- The bars and housing are manufactured using particularly lightweight materials and steel alloys
- Bars connected with special rivets
- High-quality automatic cylinder
- The BORDO™ Lite Mini is small enough to slip into the pocket of any cycling jersey

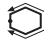
## TECHNOLOGY



## TEST SEALS



## Ref. No.

Ref. No.	4003318	 cm	Weight g	Box Qty
6055K/60 black	AX78060	60	400	6
6055K/60 red	AX78061	60	400	6
6055K/85 black SH	AX78063	85	550	6

# BORDO™ LITE 6055 COMBO

## SECURITY LEVEL



## FEATURES



Bracket SH 6055



## TECHNICAL DATA

- Special steel design, with colour-coordinated plastic casing to prevent damage to paintwork
- The bars and housing are manufactured using particularly lightweight materials and steel alloys
- Bars connected with special rivets
- Two-component number reels guarantee long-term readability of the digits
- Individually configurable code
- Perfect security-weight ratio
- Incl. bracket (SH or SR)

## TECHNOLOGY



## TEST SEALS



## Ref. No.

Ref. No.	4003318	 cm	Weight g	Box Qty
6055C/60 black	AX62105	60	460	6
6055C/60 black SH	AX62110	60	550	6

## CHAIN LOCKS



**GRANIT CITYCHAIN  
XPLUS**



black

**CITYCHAIN™  
1010**



black

**STEEL-O-CHAIN™  
9809K**



black

**STEEL-O-CHAIN™  
9808K**



black

**8808C**



black



russet red



jade green

**STEEL-O-CHAIN™  
8807K**



black

**TRESOR  
1385**



black

**STEEL-O-CHAIN™  
5805K**



black



blue



red



lime



pink

**STEEL-O-CHAIN™  
5805C**



black



blue



red



lime



pink

**STEEL-O-CHAIN™  
4804C**



black

**1500 WEB**



black

**1200 WEB**



black

# GRANIT CITYCHAIN 1060 XPLUS™

## SECURITY LEVEL



## FEATURES



## TECHNICAL DATA

- 10 mm hexagonal chain with textile sleeve to protect against damage to the paintwork
- ABUS Power Cell technology offers the highest level of protection against impacts and attempts to break the lock
- ABUS Power Link technology enables the chain to be connected directly to the Power Cell
- Interwoven connection of the lock body to protect against brutal methods of attack
- The chain, the lock body and supporting elements of the locking mechanism are made of specially hardened steel
- ABUS XPlus cylinder for the highest level of protection against tampering, e.g. picking
- Cover to protect the keyhole from contamination

## TECHNOLOGY



## TEST SEALS



1) Class C 2) 17218 3) Only for 1060/85 & 1060/110

## Ref. No.

Ref. No.	EAN 4003318	mm	cm	Weight g	Box Qty
1060/110 black	AX28623	10	110	2650	2

# CITYCHAIN™ 1010

## FEATURES



Plus



## SECURITY LEVEL



Ref. No.

EAN  
4003318



mm



cm

Weight  
g

Box  
Qty

1010/110 black

AX1 2042

9

110

2200

2

## TECHNICAL DATA

- 9 mm hexagonal chain with fabric sleeve to prevent damage to the bicycle's paintwork
- The chain, the lock body and supporting elements of the locking mechanism are made of specially hardened steel
- ABUS Plus cylinder for high protection against manipulations, e.g. picking
- Automatic cover for the keyhole against dirt and corrosion

## TECHNOLOGY



## TEST SEALS



1) Class B

# STEEL-O-CHAIN™ 9809K

## FEATURES



XPlus™



## SECURITY LEVEL



## TEST SEALS



1) 35210

## TECHNICAL DATA

- 9 mm thick square chain
- The chain, housing and structural parts of the locking mechanism are made of specially hardened steel
- Automatic keyhole cover to prevent corrosion and the ingress of dirt
- ABUS XPlus cylinder for the greatest protection against manipulation such as picking
- Two keys included

## TECHNOLOGY



Ref. No.

EAN  
4003318



mm



cm

Weight  
g

Box  
Qty

9809K/85 black

AX95548

85

1750

1750

2

# STEEL-O-CHAIN™ 9808K

## FEATURES



XPlus™



## TECHNICAL DATA

- 8 mm square chain
- The chain, housing and structural parts of the locking mechanism are made of specially hardened steel
- Automatic keyhole cover to prevent corrosion and the ingress of dirt
- ABUS XPlus cylinder for the greatest protection against manipulation such as picking
- Two keys included

## SECURITY LEVEL



## TEST SEALS



1) Class B 2) 33324

## TECHNOLOGY



Ref. No.	EAN 4003318	⊕ mm	●—○ cm	Weight g	Box Qty
9808K/85 black	AX95562	8	85	1750	2
9808K/110 black	AX95564	8	110	2250	2



# 8808C

## SECURITY LEVEL



## VERSIONS



russet red



jade green



Chain locks

## TECHNICAL DATA

- 8 mm chain with fabric sleeve to prevent damage to the bicycle's paintwork
- The chain is made of specially hardened steel
- Two-component number reels guarantee long-term readability of the digits
- Individually configurable code

## TECHNOLOGY



Ref. No.	EAN 4003318	 mm	 cm	Weight g	Box Qty
8808C/85 black	AX61490	8	85	1990	2
8808C/85 russet red	AX61491	8	85	1990	2
8808C/85 jade green	AX61492	8	85	1990	2

# STEEL- O- CHAIN™ 8807K

## SECURITY LEVEL



## FEATURES



## TECHNICAL DATA

- 7 mm thick square chain with textile sleeve that prevents damage to paintwork
- The chain, the lock body and supporting elements of the locking mechanism are made of specially hardened steel

## TECHNOLOGY



Ref. No.

EAN  
4003318

⊕  
↑  
mm

●—○  
cm

Weight  
g

Box  
Qty

8807K/85 black

AX71195

7

85

1600

2

# TRESOR 1385

## SECURITY LEVEL





Chain locks

## TECHNICAL DATA

- 7 mm square chain with fabric sleeve to prevent damage to the bicycle's paintwork
- The chain is made of specially hardened steel
- Two component moulded digits guarantee life-long visibility
- Special touch protection for higher security against unauthorized access to the code through manipulation of the mechanism
- Individually settable code

## TECHNOLOGY



Ref. No.	EAN 4003318	 mm	 cm	Weight g	Box Qty
1385/110 black	AX48628	7	110	1350	2
1385/110 black	AX51133	6	75	750	6

# STEEL-O-CHAIN™ 5805K

## FEATURES



## TECHNICAL DATA

- 5 mm square chain with textile sleeve to protect against damage to the paintwork
- The chain is made of specially hardened steel

## SECURITY LEVEL



## VERSIONS



blue



red



lime



pink

Ref. No.

EAN  
4003318



mm



cm

Weight  
g

Box  
Qty

5805K/75 black

AX71205

5

75

590

6

5805K/75 blue

AX72490

5

75

590

6

5805K/75 red

AX72489

5

75

590

6

5805K/75 lime

AX72491

5

75

590

6

5805K/75 pink

AX72492

5

75

590

6

5805K/110 black

AX72493

5

110

780

6



## TECHNOLOGY

# STEEL-O-CHAIN™ 5805C

## SECURITY LEVEL



## VERSIONS



blue



red



lime



pink

Ref. No.

EAN  
4003318



mm



cm

Weight  
g

Box  
Qty

5805C/75 black

AX71206

5

75

500

6

5805C/75 blue

AX72494

5

75

500

6

5805C/75 red

AX72495

5

75

500

6

5805C/75 lime

AX72496

5

75

500

6

5805C/75 pink

AX72497

5

75

500

6

5805C/110 black

AX72498

5

110

720

6

## TECHNICAL DATA

- 5 mm thick square chain with textile sleeve that prevents damage to paintwork
- The chain is made of specially hardened steel
- Two-component number reels guarantee long-term readability of the digits
- The number code can be set individually

## TECHNOLOGY



# STEEL-O-CHAIN™ 4804C



## TECHNICAL DATA

- 4 mm thick square chain with textile sleeve that prevents damage to paintwork
- The chain is made of special hardened steel
- Individually settable code

## TECHNOLOGY



## SECURITY LEVEL



Ref. No.

EAN  
4003318

  
mm

  
cm

Weight  
g

Box  
Qty

4804C/75 black

AX71617

4

75

360

6

# 1500 WEB

## FEATURES



## TECHNICAL DATA

- 4 mm round chain with textile sleeve to protect against damage to the paintwork
- The chain is made of special steel

## TECHNOLOGY



## SECURITY LEVEL



Ref. No.

EAN  
4003318

Version

  
mm

  
cm

Weight  
g

Box  
Qty

1500/60 web black

AX56345

4

60

230

12

1500/110 web black

AX56346

4

110

360

12

# 1200 WEB



## TECHNICAL DATA

- 4 mm thick rounded chain with textile sleeve to prevent damage to paintwork
- The chain is made of specially hardened steel

## SECURITY LEVEL



Ref. No.

EAN  
4003318

Version



mm



cm

Weight  
g

Box  
Qty

1200/60 web black  
1200/110 web black

AX56341  
AX56342

4  
4

60  
110

200  
330

12  
12

# GOOSE LOCK



G O O S E

L O C K

**6206KGOOSE LOCK**



mint



black

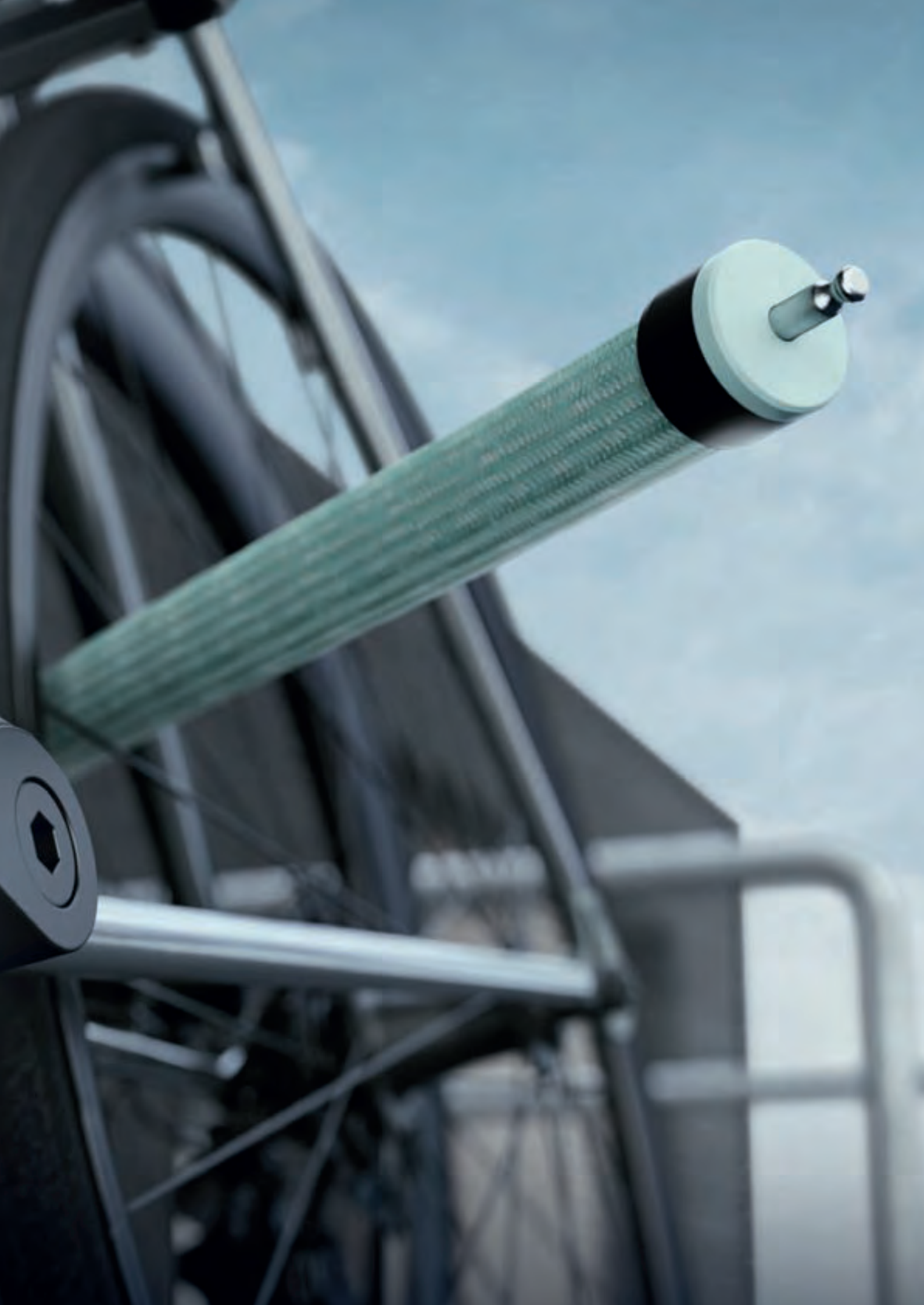


rosemauve



flint





# 6206K GOOSE LOCK

NEW

## SECURITY LEVEL



## VERSIONS



black



rosemauve



flint



## TECHNICAL DATA

- 6 mm thick chain with functional, durable and highly flexible textile fibre sheathing
- Dimensionally stable and flexible chain lock with textile feel
- Soft coating provides strong protection against wear
- The chain, housing and structural parts of the locking mechanism are made of specially hardened steel

## TECHNOLOGY



Ref. No.	EAN 4003318	$\varnothing$ mm	$\bullet$ cm	Weight g	Box Qty
6206K/110 black	AX95547	6	110	1120	6
6206K/110 rosemauve	AX96156	6	110	1120	6
6206K/110 mint	AX96158	6	110	1120	6
6206K/110 flint	AX96157	6	110	1120	6

**STEEL-O FLEXS LOCKS**



**CENTURO  
860**



black

**MICROFEX  
6615K**



black

**TRESORFEX  
6615C**



black

# CENTURO 860

## FEATURES



Bracket QuickSnap RBU

## SECURITY LEVEL



Ref. No.

EAN  
4003318



mm



cm

Weight  
g

Box  
Qty

860/110 QS RBU

AX31494

20

110

1025

6



## TECHNICAL DATA

- 20 mm thick, overlapping steel shells protect the internal steel cable
- Plastic coating to prevent damage to the bicycle's paintwork
- The steel shells, the case as well as supporting elements of the locking mechanism are made of specially hardened steel

## TECHNOLOGY



## TEST SEALS



# MICROFLEX 6615K

## FEATURES



Bracket SCMU

## SECURITY LEVEL



Ref. No.

EAN  
4003318



mm



cm

Weight  
g

Box  
Qty

6615K/85/15 black SCMU

AX13408

15

85

580

6



## TECHNICAL DATA

- 15 mm thick, overlapping steel shells protect the internal steel cable
- Plastic coating to prevent damage to the bicycle's paintwork

## TECHNOLOGY



# TRESORFLEX 6615C

## FEATURES



Bracket SCMU



## TECHNICAL DATA

- 15 mm thick, overlapping steel shells protect the internal steel cable
- Plastic coating to prevent damage to the bicycle's paintwork
- Two-component number reels ensure long-term readability of the digits
- Special touch protection for increased security against unauthorised access to the code through manipulation of the mechanism
- Dark-touch function facilitates use in the dark thanks to special imprinting
- Individually configurable code

## SECURITY LEVEL



Ref. No.

EAN  
4003318



mm



cm

Weight  
g

Box  
Qty

6615C/85/15 black SCMU

AX13657

15

85

705

6

## TECHNOLOGY



**COIL CABLE AND CABLE LOCKS**



**TRESOR  
6512C**



black

**PRIMO  
5510K**



black

**NUMERO  
5510C**



black

**STAR  
4508C**



black

**3506K**



black



# TRESOR 6512C

## FEATURES



Bracket SCMU



## TECHNICAL DATA

- 12 mm thick, high-quality and super flexible spiral cable
- Plastic coating to prevent damage to the bicycle's paintwork
- 2-component number reels guarantee long-term readability of the digits
- Individually configurable code

## TECHNOLOGY



## SECURITY LEVEL



Ref. No.

EAN  
4003318



mm



cm

Weight  
g

Box  
Qty

6512C/180 black

AX13414

12

180

600

6

# PRIMO 5510K

## FEATURES



Bracket SCMU



## TECHNICAL DATA

- 10 mm thick, high-quality and super flexible spiral cable
- Plastic coating to prevent damage to the bicycle's paintwork

## TECHNOLOGY



## SECURITY LEVEL



Ref. No.

EAN  
4003318



mm



cm

Weight  
g

Box  
Qty

5510K/180 black SCMU

AX14245

10

180

508

6

# NUMERO 5510C

## FEATURES



Bracket SCM U



## TECHNICAL DATA

- 10 mm thick, high-quality and super flexible spiral cable
- Plastic coating to prevent damage to the bicycle's paintwork
- Dark-touch function facilitates use in the dark thanks to special imprinting
- Two-component number reels ensure long-term readability of the digits
- Individually configurable code

## SECURITY LEVEL



Ref. No.

EAN  
4003318



mm



cm

Weight  
g

Box  
Qty

5510C/180 black SCM U

AX16523

10

180

508

6

## TECHNOLOGY



# STAR 4508C

## SECURITY LEVEL



Ref. No.

EAN  
4003318



mm



cm

Weight  
g

Box  
Qty

4508C/150 black

AX20019

8

150

260

12

## TECHNICAL DATA

- 8 mm thick, high-quality and super flexible spiral cable
- Plastic coating to prevent damage to the bicycle's paintwork
- Dark-touch function facilitates use in the dark thanks to special imprinting
- Individually configurable code

## TECHNOLOGY



**FRAME LOCKS AND BATTERY LOCKS**



**GRANIT XPLUS™  
6950**



black

**PRO AMPARO  
4750X XL**



black

**PRO TECTIC™  
4960**



black

**ACH  
ADAPTOR CHAIN**



black

**ADAPTOR  
CABLE**



black

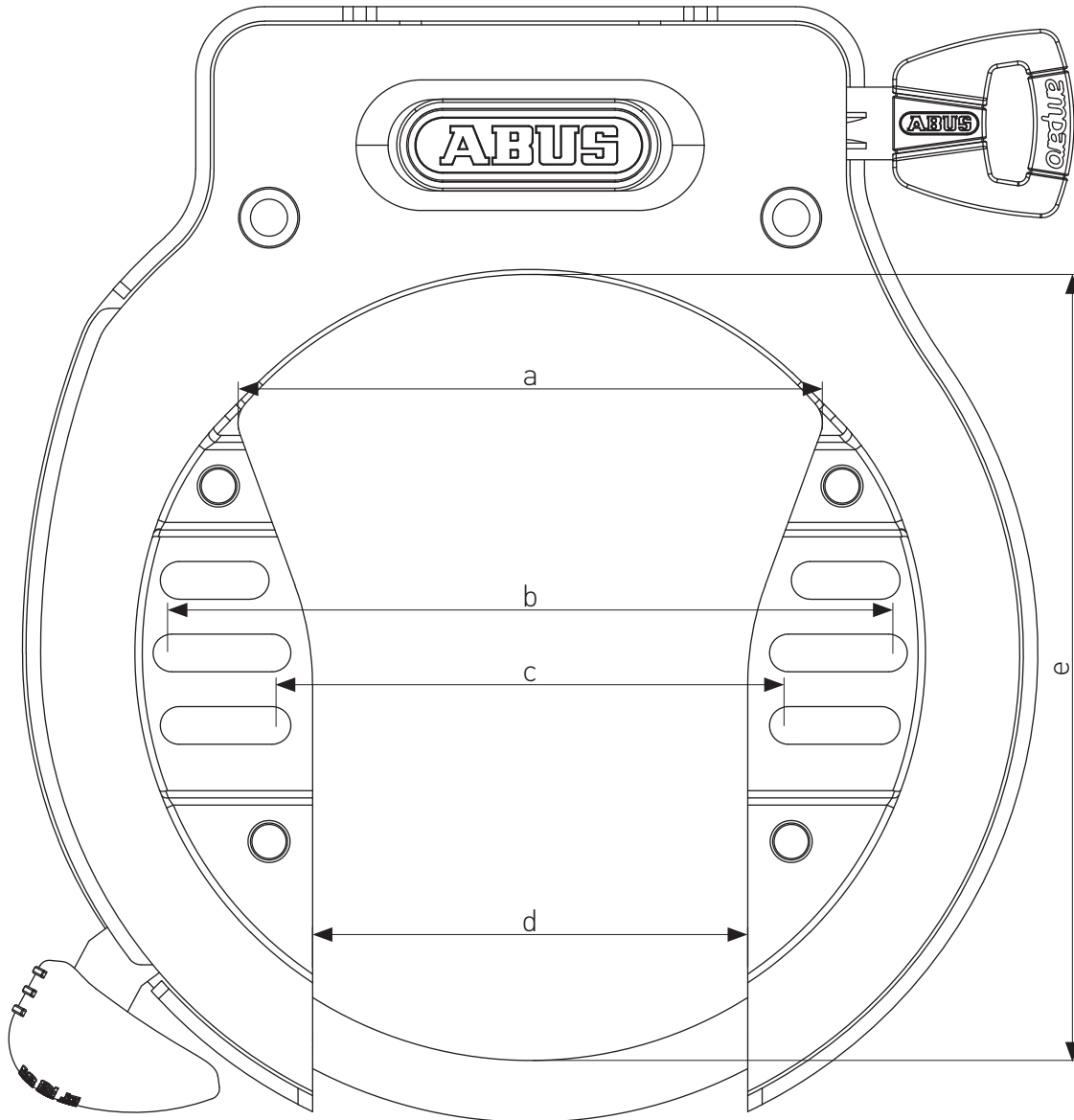
**IVYTEX  
ADAPTOR CHAIN**



crossing grey

# FRAME LOCKS

We want to help you find the right frame lock for your customer's bike even faster in the future. The dimensions below should help you with this.



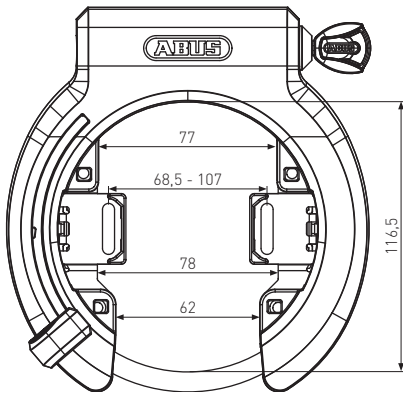
- a Maximum mudguard width
- b Maximum hole spacing of rear mounting points
- c Minimum hole spacing of rear mounting points
- d Maximum tire width
- e Maximum clearance heights (top of mudguard vs rim)

You will find an overview of all dimensions on the next page. In addition, you will also find all relevant dimensions on each product page in the tables.

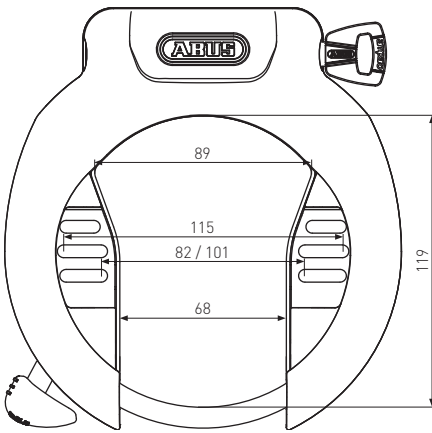
Ref. No.	EAN	a	b	c	d	e	Weight	Box
		mm	mm	mm	mm	mm	g	Qty
	4003318							

# ALL FRAME LOCK DIMENSIONS IN OVERVIEW

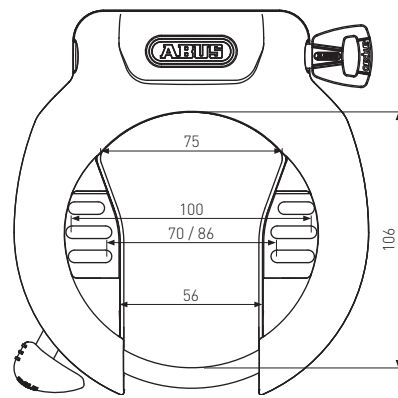
**6950M AM**



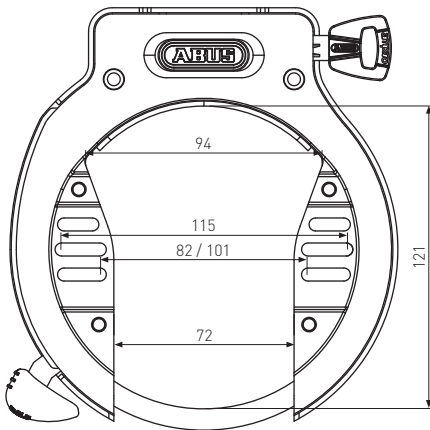
**4750X / 4750XL**



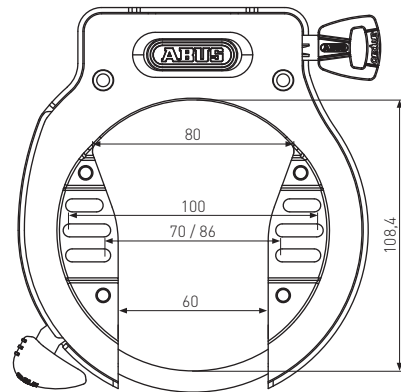
**4750S / 4750SL**



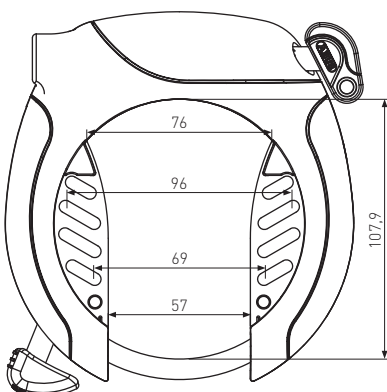
**4650X / 4650XL**



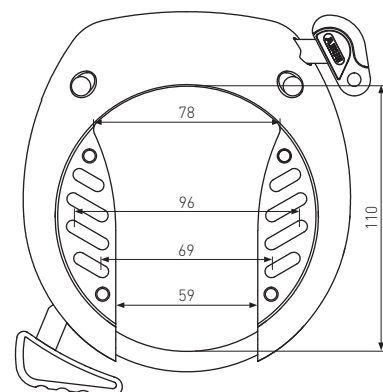
**4650S / 4650SL**



**4960**



**496**



Frame locks and  
battery locks

# GRANIT XPLUS™ 6950

## SECURITY LEVEL



## FEATURES



All Mounting Plate



FMU 6950



Adapter plate 6950



## TECHNICAL DATA

- 8.5 mm thick locking shackle
- The shackle, housing and structural parts of the locking mechanism are made of specially hardened steel
- Closing mechanism for simple connection of accessories in the lock housing
- ABUS XPlus cylinder for the greatest protection against manipulation such as picking
- In the R variant, the key remains in the cylinder when the lock is opened; in the NR variant, it can be pulled out
- Hole spacing for mounting is universally adjustable

## TECHNOLOGY



## TEST SEALS



1) 38581 2) Only for "R" version

Ref. No.	EAN 4003318	a	b	c	d	e	Weight g	Box Qty
6950M AM NR BK XPlus™	AX61915	77	68,5-107	78	62	116,5	770	10

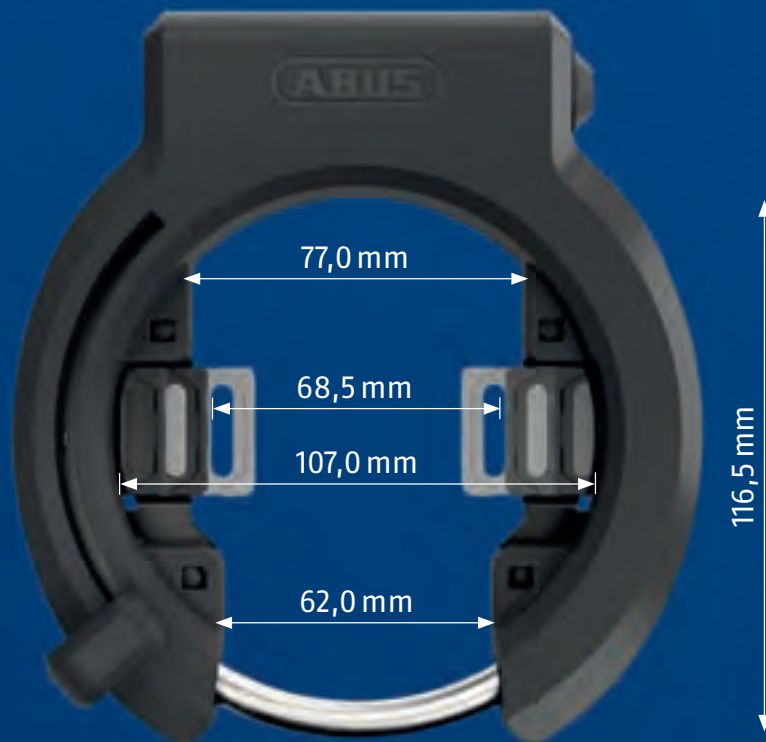


Security Tech Germany

**6950M AM GRANIT XPLUS™**

# THE LOCK WITH UNIVERSAL FRAME FITTING

Thanks to the moveable mounting slots one lock  
will fit all common frame and tyre sizes



Made in Germany



# PRO AMPARO 4750 X / XL

## SECURITY LEVEL



## FEATURES



SH



Mounting straps LH



## VARIANTS

## TECHNICAL DATA

- 8.5 mm steel shackle
- The case, the shackle as well as supporting elements of the locking mechanism are made of specially hardened steel
- Extreme large aperture for extra wide tires
- Closing mechanism for easy attachment of accessory to the lock body
- The R (key retaining) version holds the key when the lock is open, the NR (non key retaining) version allows taking the key out of the cylinder

## TECHNOLOGY



## TEST SEALS



1) 35482 2) Only for "R" version

Ref. No.	EAN 4003318	a	b	c	d	e	Weight g	Box Qty
4750XL R black PRO AMPARO	AX69354	89	115	101	68	119	800	12

# PRO TECTIC™ 4960

## FEATURES



SH



Mounting straps LH

## SECURITY LEVEL



## TECHNICAL DATA

- 8.5 mm thick locking shackle
- The shackle, the case as well as supporting elements of the locking mechanism are made of specially hardened steel
- Accessories can easily be fitted to the locking mechanism on the lock housing
- The R (key retaining) version holds the key when the lock is open, the NR (non key retaining) version allows taking the key out of the cylinder

## TECHNOLOGY





Ref. No.	EAN	a	b	c	d	e	Weight g	Box Qty
4960 NR black	4003318 AX11260	76	96	69	57	107,9	520	6

## ACH 2.0 ADAPTOR CHAIN



### TECHNICAL DATA

- 6 and 8 mm square chain made of hardened steel
- Separate locking of the shackle is not necessary
- Various connection options
- Suitable for all ABUS frame locks and the Alarmbox 2.0
- Special coating on the loop ring protects the bike's paintwork from being damaged

Ref. No.	EAN 4003318	 mm	 cm	Weight g	Box Qty
ACH 2.0 6KS/130 black	AX95366	6	130	1140	6
ACH 2.0 8KS/100 black	AX95373	8	100	1400	1

## ACL ADAPTOR CABLE



### TECHNICAL DATA

- 12 mm thick, high-quality steel cable
- Opens up a lot of opportunities for locking the bicycle on to a fixed object

Ref. No.	EAN 4003318	 mm	 cm	Weight g	Box Qty
ACL 12/100 black	AX18243	12	100	416	6

# IVYTEX ADAPTOR CHAIN



## TECHNICAL DATA

- Adapter chain with IvyTex coating
- Square profile chain made of our own hardened steel alloy
- Durable cover made of synthetic IvyTex fibre offers resistance to saw attacks
- Hydrophobic IvyTex cover repels dirt and moisture
- 6 and 8 mm square chain made of hardened steel
- Fabric coating on the loop ring to protect against damage to the paintwork
- With frame locks, there is no need to separately lock the shackle
- Various options for connecting to fixed objects or linking multiple bicycles
- Suitable for ABUS frame locks and Alarmbox 2.0

## TECHNOLOGY



## Ref. No.

EAN  
4003318



mm



cm

Weight  
g

Box  
Qty

ACH IVY 6KS/130 crossing grey

AX68462

6

130

1140

6

# SERVICE PRICELIST

## BATTERY LOCKS

### Accel Group

AX96518 BLO ACC IT3 T82 Service

AX96691 BLO ACC IT3 Xplus Service

### Bafang

AX96306 BLO BAF 15,7 T82 Service

### Bike Fun

AX96514 BLO BFI IT1 T82 Service

### Bosch

AX96515 BLO BOS AX1 T82 Service

AX96303 BLO BOS IT2.1 T82 Service

9AX6521 BLO BOS DT2 PLUS Service

AX96281 BLO BOS DT2 T82 Service

AX96502 BLO BOS DT2 XL T82 Service

AX96675 BLO BOS DT2 Xplus Service

AX96516 BLO BOS DT3 T82 Service

AX96517 BLO BOS DT3 T82 XL Service

AX96671 BLO BOS DT3 T83 Service

AX96685 BLO BOS DT3 XPlus 2X Service

AX96684 BLO BOS DT3 XPLUS Service

AX96686 BLO BOS DT3 XPlus XL Service

AX96673 BLO BOS IT2.1 Xplus Service

AX96301 BLO BOS IT3 T82 Service

AX96672 BLO BOS IT3 T83 Service

AX96563 BLO BOS RT2 PLUS Service

### Bosch

AX96687 BLO BOS RT2 Xplus Service

AX96297 BLO BOS UNI T82 Service

### Brose

AX96669 BLO BRO IT1 LC T83 Service

### Cube

AX96677 BLO CUB IT1.B3 XPLUS Service

AX96679 BLO CUB IT2 XPLUS Service

AX96678 BLO CUB IT2.B3 XPLUS Service

### Cycle Union

AX96682 BLO CYU IT1 XPLUS Service

### Darfon

AX96300 BLO DAF UNI LC T83 Service

AX96513 BLO DAF UNI T82 Service

AX96692 BLO DAF UNI T83 Service

### Fazua

AX96574 BLO FAZ IT1 PLUS Service

AX96690 BLO FAZ IT2 Xplus Service

### Fit Biketec

AX96681 BLO FIT IT1 Xplus Service

### Giant

AX96504 BLO GIA IT1 F T82 Service

AX96948 BLO GIA IT1 M T82 Service

AX96952 BLO GIA IT1 M XPLUS Service

**Panasonic**

96299 BLO PAN DT1 T82 Service

AX96570 BLO PAN IT1 PLUS Service

AX96674 BLO PAN IT1 XPLUS Service

**Pexco**

AX96577 BLO PEX IT2 PLUS Service

AX96565 BLO PEX IT3 PLUS Service

AX98414 BLO PEX IT3 XPLUS Service

**Phylion**

AX96307 BLO PHY 11,3 T82 Service

**Scott**

AX96680 BLO SCO IT2 auf IT2.1 Service

**Shimano**

AX96572 BLO SHI DT1 PLUS Service

AX96575 BLO SHI IT2 PLUS Service

AX96507 BLO SHI IT2 T82 ASY Service

AX96676 BLO SHI IT2 XPLUS Service

AX96289 BLO SHI RT1 T82 Service

**Specialized**

AX96573 BLO SPE IT2 PLUS Service

AX96670 BLO SPE IT3 T83 Service

AX96683 BLO SPE IT3 Xplus Service

**Trek**

AX96509 BLO TRE IT1 T82 Service

AX96984 BLO TRE IT1 PLUS Service

**ZEG**

AX96491 BLO ZEG IT1 T82 Service

AX96571 BLO ZEG IT3 PLUS Service

AX96576 BLO ZEG IT5 PLUS Service

AX96990 BLO ZEG IT4 XPLUS Service

AX98420 BLO ZEG IT5 XPLUS Service

**Winora**

AX96566 BLO+BRA WIN IT1 PLUS Service

AX96567 BLO+BRA WIN IT2 PLUS Service

**IT: Intube**

**DT: Downtube**

**RT: Racktube**

Contact PSIC for availability.

\* These products will be delivered without individual packaging

**SPECIAL SECURITY**



**277 ALARM**



**KEYGARAGE™  
797**



**KEYGARAGE™  
737**



**KEYGARAGE™  
777**



**COMBIFLEX™  
TRAVELGUARD**



black



yellow



red

**COBRA™**



black

**WBA 65**



black

**SPORTFE 2504**



black

**COMBIFLEX™**



black

**GRANIT™  
WBA**



black

**GRANIT™  
WBA**



black

**WBA 60**



black

**CHAIN CLAW 10**



black

**ALARMBOX 2.0**



black

**WCH90**



black



# CHAIN CLAW 10

## SECURITY LEVEL




## TECHNICAL DATA

- 7 mm thick and 10 cm long square chain
- Rotating joints and a 55mm diameter engagement point for the cuffs provide maximum flexibility
- The chain as well as parts of the housing and clamps are made of specially hardened steel
- Opening code can be set individually

## TECHNOLOGY



Ref. No.	EAN 4003318	 mm	 cm	Weight g	Box Qty
Chain Claw 10 black	AX95934	7	10	1070	1

# ALARMBOX 2.0



## VERSIONS



Alarmbox 2.0 black  
+ 6KS/100

Alarmbox 2.0 black  
+ ACL 12/100

## TECHNICAL DATA

- Alarm function with min. 100 dB for 15 seconds, followed by reactivation
- 3D Position Detection - alarm system that detects vibrations and the smallest movements in all three dimensions and triggers the alarm
- Smart alarm – the Alarmbox only emits a small warning beep in the event of minor and brief vibrations, e.g. if a football bounces nearby
- CR2 batteries included
- Mounting option on almost all round geometries
- Connection option for ABUS adapter chains and cables

## TECHNOLOGY



Ref. No.	EAN 4003318	Weight g	Box Qty
Alarmbox 2.0 black	AX61482	430	12
Alarmbox 2.0 black + ACH 6KS/100	AX61488	1270	6
Alarmbox 2.0 black + ACL 12/100	AX61489	720	6

# WCH90

## SECURITY LEVEL



## FEATURES



## TECHNICAL DATA

- Wall anchor with integrated chain
- Hardened steel housing high attack resistance
- The wall anchor is firmly anchored in the wall with special high security plugs and thus offers an extremely high level of theft protection
- The mounting plugs are included in the scope of delivery
- Only suitable for wall mounting
- The chain and the housing are made of specially hardened steel
- Textile coating to protect against paint damage
- The chains are available in different lengths
- ABUS XPlus cylinder for the greatest protection against manipulation, such as picking

## TECHNOLOGY



## TEST SEALS



## Ref. No.

Ref. No.	EAN			Weight g	Box Qty
WCH90 + ACH 9KS/110	4003318 AX69061	9	110	3580	3

# WBA100 GRANIT™

## FEATURES



## SECURITY LEVEL



Security Level  
Motorbike

## TECHNICAL DATA

- 16 mm thick shackle made of hardened special steel for maximum attack resistance
- Can be wall or floor mounted

## TEST SEALS



Ref. No.	EAN 4003318	mm	mm	mm	mm	mm	Weight g	Box Qty
WBA100 GRANIT™	AX27161	160	165	16	65	77	1880	1

# WBA75 GRANIT™

## FEATURES



## SECURITY LEVEL



## TECHNICAL DATA

- 14 mm thick shackle made of hardened special steel for maximum resistance
- Incl. mounting accessories

## TEST SEALS



Ref. No.	EAN 4003318	mm	mm	mm	mm	mm	Weight g	Box Qty
WBA75	AX78606	135	98	14	57	65	850	1

# WBA65






★  
NEW

## TECHNICAL DATA

- 10 mm thick shackle
- Holder for the rear wheel
- Simple installation without dowels

## SECURITY LEVEL

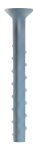


Ref. No.	EAN	 mm	 mm	 mm	 mm	 mm	Weight g	Box Qty
WBA65 B/SB + Bike Holder	AX97167	118	80				1094	1



# WBA60

## FEATURES



## TECHNICAL DATA

- 10 mm thick shackle made of hardened special steel for maximum attack resistance
- Incl. mounting accessories

## SECURITY LEVEL



## TEST SEALS



Ref. No.	EAN						Weight g	Box Qty
		mm	mm	mm	mm	mm		
WBA60	AX82211	118	80	10	52	55	450	1

## SPORTFLEX 2504





### TECHNICAL DATA

- Very lightweight and space-saving cable lock for mounting under the bottle holder
- Mounting by means of two screws included in the scope of delivery at the attachment points on the frame tube of the bicycle
- Low profile of 20 mm enables mounting under an existing bottle holder
- Self-retracting cable
- Opening code can be set individually
- Ideal for protection against thievery and opportunistic theft

### TECHNOLOGY



Ref. No.	EAN 4003318	 mm	 cm	Weight g	Box Qty
2504/90	AX69054	2,4	90	100	1

## COMBIFLEX™





### TECHNICAL DATA

- Self-retracting cable
- Opening code can be set and changed by the user
- Attractive pocket format fits comfortably in any pocket
- Extendible steel cable

### TECHNOLOGY



Ref. No.	EAN 4003318	 mm	 cm	Weight g	Box Qty
StopOver 65 black	AX95454	1,2	65	46	12
Trip 125 black	AX95457	3	125	128	12

# COMBIFLEX™ TRAVELGUARD



## TECHNICAL DATA

- Cable protection with extra solid steel core
- Users can set and change the 3-digit code themselves
- Cable lock with releasable locking mechanism
- Small and lightweight, fits well in trouser or jersey pocket

## TECHNOLOGY





## VERSIONS



black



yellow



Ref. No.	EAN 4003318	 mm	 cm	Weight g	Box Qty
TravelGuard black	AX95468	4	45	80	32
TravelGuard yellow	AX95601	4	45	80	32
TravelGuard red	AX95600	4	45	80	32

# COBRA™



## TECHNICAL DATA

- High quality steel cable with two loop ends
- Synthetic coating to prevent damage to the bicycle's paintwork

Ref. No.	EAN 4003318	 mm	 cm	Weight g	Box Qty
Cobra™ 10/140 black	AX37107	10	140	310	30
Cobra™ 10/220 black	AX37108	10	220	420	24



## 797 KEYGARAGE™



### TECHNICAL DATA

- Solid metal housing
- Locking cover made of zinc die-cast
- 4-digit individually settable code
- Protective cover with sliding mechanism
- Fixing with shackle, e.g. on a door knob of gates and doors
- Can hold up to 20 keys or 14 code cards
- Outer dimensions of housing: 85 x 120 x 45
- Housing and shackle plastic coated (protects door from scratching)
- Ideal protected storage of keys and other valuables for authorised persons
- Quick and easy access for frequently changing groups of persons (craftsmen, service, holiday guests, apartment buildings, car rentals)
- Defining access by setting and passing on the code
- Fixing with shackle, e.g. on a door knob of gates and doors

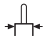

### FEATURES



Adapter

### TECHNOLOGY



Ref. No.	EAN 4003318	 mm	 mm	 mm	Weight g	Box Qty
with shackle	AX46330	85	45	180	767	1

## 777 KEYGARAGE™



### TECHNICAL DATA

- Solid metal housing
- Locking cover made from zinc die-cast
- Code up to 10 digits individually resettable (the sequence of the code is irrelevant)
- Code needs to be entered in order to close the locking cover
- Plastic cover to protect against dust, dirt, etc.
- For wall fixing with screws
- Holds up to 17 cards or 20 keys
- Outer dimensions of housing: 84 x 119 x 47

### TECHNOLOGY



Ref. No.	EAN 4003318	 mm	 mm	 mm	Weight g	Box Qty
Adapter KeyGarage™ 777	AX53508	..	74	63	114	1

## 737 KEYGARAGE™



### TECHNICAL DATA

- Ideal protected storage of keys and other valuables for authorised persons
- Quick and easy access for frequently changing groups of persons (craftsmen, service, holiday guests, apartment buildings, car rent-als)
- Defining access by setting and passing on the code
- For indoors and in protected outdoor areas
- Fixing with shackle, e.g. on loops in backpacks, lockers, etc.

### FEATURES



Adapter

### TECHNOLOGY



#### Ref. No.

EAN  
4003318

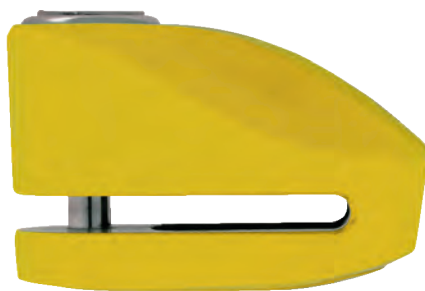


Weight  
g

Box  
Qty

Adapter eyorage	37	AX77454	70	74	63	114	1
-----------------	----	---------	----	----	----	-----	---

## 277 Alarm



### TECHNICAL DATA

- 10 mm locking bolt
- "push down" - cylinder
- The bolt, body and the structural parts of the locking mechanism are made of specially hardened steel
- Three keys are included

### TECHNOLOGY



#### Ref. No.

EAN  
4003318

DISC BRAKE LOCK 277A	Yellow	AX39394
DISC BRAKE LOCK 277A	Red	AX39395

**BRACKETS AND BAGS**



**BRACKET  
UGH 02**



black

**BRACKET  
USH 540**



black

**BRACKET  
SADDLEFIX SH SF**



black

**BRACKET  
SH 6500K BORDO™**



black

**BRACKET  
SH 6000 BORDO™**



black

**BRACKET  
SH 6000 BORDO™ BIG**



black

**BRACKET  
SH 5700 BORDO™**



black

**BRACKET  
UGRIP BORDO™ BIG**



black

**BRACKET  
SH 6055 BORDO™ LITE**



black

**BRACKET  
SR 6055 BORDO™**



black

**BRACKET  
ST 6000 BORDO™**



black

**BRACKET  
ST 6000  
BORDO™ BIG**



black

**BRACKET  
ST 5700  
UGRIP BORDO™**



black

**MOUNTING STRAPS  
LH**



black

## BRACKET UGH 02



### TECHNICAL DATA

---

- Transport of Steel-0-Flex and other locks
- Mounting on the rack stays with a diameter of 5 - 16.5 mm
- Universal solution for all common racks
- Simple and time saving mounting

Ref. No.	EAN	Version	Weight g	Carrier	Box Qty
Bracket UGH 02	4003318 AX26624		80	for 950, 970, 1000, 1025, 7200, 7220, 8200, 8220	1

## BRACKET USH540



### TECHNICAL DATA

---

- Transport of U-shackle locks
- Mounting on round frames with a diameter of 15 - 35 mm
- Plastic bracket for mounting
- Mounting within the frame or at the side possible

Ref. No.	EAN	Version	Weight g	Carrier	Box Qty
Bracket USH 540	4003318 AX18573		150	for 540	1

## BRACKET SH SF SADDLEFIX



### TECHNICAL DATA

- Universal adapter for space-saving attachment of various BORDO™ locks to saddle stays
- Your desired BORDO™ lock can be fixed to the adapter together with the corresponding bracket
- A rain cap is included in the scope of delivery: as splash and weather protection for your BORDO™ lock
- The holes on the adapter are analogous to those on a water bottle holder, so that this or the SportFlex lock could also be fixed to the adapter
- Screws are included in the scope of delivery
- Adapter for attachment to the saddle
- Suitable for brackets SH 5700, 6000 and 6500
- Practical rain cover and protection against dirt and moisture

Ref. No.	EAN 4003318	Version	Weight g	Carrier	Box Qty
Bracket SH SF	AX67866		121	for SH 5700C/80, SH 5700K/80, SH 6000C/90, SH 6000K/120, SH 6000K/90, SH 6500/85	3

## BRACKET SH 6500K BORDO™



### TECHNICAL DATA

- Easy transport for BORDO 6500KA/90 and 6500K/90
- Simple and toolless mounting due to practical mounting strap
- The lock can be easily removed forwards
- Perfect for small framed bikes

Ref. No.	EAN 4003318	Version	Weight g	Carrier	Box Qty
Bracket SH 6500K/90	AX69051		195	for 6500KA/90, 6500K/90	3

## BRACKET SH 6000 BORDO™



### TECHNICAL DATA

- Easy transport for BORDO™ 6000, 6015 and 6100
- Simple and toolless mounting due to practical mounting straps
- The lock can be easily removed forwards
- Perfect for small framed bikes

Ref. No.	EAN 4003318	Version	Weight g	Carrier	Box Qty
Bracket SH 6000/90	AX72900		115	for 6000/90, 6000K/90, 6000KA/90, 6000C/90, 6000A/90, 6100/90	3

## BRACKET SH 5700 BORDO



### TECHNICAL DATA

- Easy transport for BORDO 5700K uGrip
- Simple and toolless mounting due to practical mounting straps
- The lock can be easily removed forwards
- Perfect for small framed bikes

Ref. No.	EAN 4003318	Version	Weight g	Carrier	Box Qty
Bracket SH 5700/80	AX61566		122	for 5700K/80 und 5700C/80	3

## BRACKET SH 5700 UGRIP BORDO BIG



### TECHNICAL DATA

- Easy transport for BORDO 5700 uGrip BIG
- Simple and toolless mounting due to practical mounting straps
- The lock can be easily removed forwards
- Perfect for small framed bikes

Ref. No.	EAN 4003318	Version	Weight g	Carrier	Box Qty
Bracket SH 5700K/100	AX61571		122	for 5700K/100	3

## BRACKET SH 6055 BORDO™ LITE



### TECHNICAL DATA

- Easy transport for BORDO™ 6055 Lite
- Simple and toolless mounting due to practical mounting straps
- The lock can be easily removed forwards
- Perfect for small framed bikes

Ref. No.	EAN 4003318	Version	Weight g	Carrier	Box Qty
Bracket SH 6055	AX78066		60	replacement bracket	3

## BRACKET ST 5700 UGRIP BORDO™



### TECHNICAL DATA

- Transport bag with latching mechanism and comfortable one-hand-operation
- Flexible mounting with non-slip velcro straps or screws for the bottle holder device or bolts using the bottle cage fittings
- Easy transport thanks to practical holder

Ref. No.	EAN 4003318	Version	Weight g	Carrier	Box Qty
Bracket ST 5700 uGrip BORDO	AX11284		103	for 5700K/80	1

## MOUNTING STRAP LH ADAPTOR



### TECHNICAL DATA

- Mounting of frame locks to the bike frame

Ref. No.	EAN 4003318	Version	Weight g	Carrier	Box Qty
Mounting strap LH adaptor	AX56240		48	5950, 5850, 5750, 5650, 565, 52	1





## ABUS OEM

### **STRONG SERVICE PARTNER, RELIABLE SUPPLIER ABUS AS OEM PARTNER – YOUR FIRST CHOICE**



In the bicycle market, the factors of success are added value, differentiation, flexibility, availability, fast service and high capacity. Suppliers that work with bicycle manufacturers have to meet the corresponding requirements. ABUS meets them.

As a globally experienced specialist in bicycle security, we offer you the best possible support and a high level of reliability. For years, ABUS has been a synonym for security, and has earned a leading position in the bicycle accessory market.

Quality „Made in Germany“ and „Just in time“ deliveries: concentrating on these core competences has made us an important partner for many bicycle manufacturers worldwide. We are also a strong partner on the OEM market, offering a wide selection of frame locks, integrated security solutions, and many individual products. Among others, we offer keyed alike locks and battery cylinders for e-bikes.

Allow us to take advantage of mutual synergy and implement it to our shared success!

Our OEM team looks forward to hearing from you at: [oem@abus.de](mailto:oem@abus.de)

We hope to continue our good cooperation with leading bicycle manufacturers!





**CUSTOM SECURITY**

Custom security solutions are not just a trend, but also a very convenient way for cyclists to secure their beloved bicycles. Take advantage of our more than 90 years of experience, and set yourself apart from the masses with a customized security solution.

ADVANCED

**Bianchi**  
LIFE

BERGAMONT



CANYON

CORRATEC



CUBE FLYER HAIBIHE



HERCULES

Husqvarna<sup>®</sup>  
E-BICYCLES

KETTLER ALU-RAD

**KTM**  
BIKE INDUSTRIES

**MCG**  
MERIDA & CENTURION GERMANY GMBH

ORBEA

RIESE & MÜLLER

SCOTT

SERIAL 1

SIMPLON

SPECIALIZED

STEVENS  
BIKES

tern

TREK

URBAN ARROW

VELO@VILLE

**zemo**  
zero emission mobility

**LUMINO**



**LUMINO  
NIGHT VEST**



yellow

**LUMINO  
DAY VEST**



red

**URBAN VEST**



silver

**REFLEX VEST**



yellow

**URBAN VEST KIDS**



silver

**REFLEX VEST KIDS**



yellow

**NIGHT COVER**



yellow

**X-URBAN COVER**



yellow/silver

**REFLEX WRAP**



yellow

**EASY MAGNET LIGHT**



yellow

# LUMINO NIGHT VEST

## FEATURES



## TECHNICAL DATA

- 100% polyester
- Silver applications light up as soon as light hits them
- UV-resistant material glows even after years of use
- Visibility of 150 metres at night and 100 metres during the day
- With integrated USB rear light consisting of four powerful red LEDs - rechargeable via USB port
- LED light shines for up to 10 hours (activate continuous and flashing light functions at the touch of a button)
- Additional pocket with zip on the front of the vest
- Tested according to European standard EN 1150:1999
- Extended back and good fit due to body fit

Ref. No.	EAN 4003318	Colour	Size	Box Qty
Lumino Night Vest yellow M	AX96020	yellow	M	1
Lumino Night Vest yellow L	AX96021	yellow	L	1
Lumino Night Vest yellow XL	AX96022	yellow	XL	1
Lumino Night Vest yellow XXL	AX96023	yellow	XXL	1
Lumino Night Vest yellow XXXL	AX96024	yellow	XXXL	1

# LUMINO DAY VEST

## FEATURES



## TECHNICAL DATA

- 100% polyester
- Fluorescent red material lights up as soon as light hits it
- UV-resistant material glows even after years of use.
- Four highly reflective stripes for very good visibility at night, but also very good visibility during the day.
- Visibility of 150 metres at night and 100 metres during the day
- Tab on the back of the waistcoat to attach a separate light (Easy Magnet Light/Indicator Light)
- Tested according to European Standard EN 17353:2020 (AB3)
- Extended back and good fit

Ref. No.	EAN 4003318	Colour	Size	Box Qty
Lumino Day Vest red M	AX96026	red	M	1
Lumino Day Vest red L	AX96027	red	L	1
Lumino Day Vest red XL	AX96028	red	XL	1
Lumino Day Vest red XXL	AX96029	red	XXL	1
Lumino Day Vest red XXXL	AX96031	red	XXXL	1

## LUMINO URBAN VEST

### FEATURES



### TECHNICAL DATA

- 100% polyester
- Fully reflective safety vest: Almost the entire surface of the safety vest is brightly illuminated by headlights.
- Colour coordinated stripes
- Visibility of 150 metres in the dark
- Tested according to European Standard EN 17353:2020 (B3)
- Tab on the back of the waistcoat to attach a separate light (Easy Magnet Light/Indicator Light)
- Extended back and good fit

Ref. No.	EAN 4003318	Colour	Size	Box Qty
Lumino Urban Vest silver M	AX69937	silver	M	1
Lumino Urban Vest silver L	AX69938	silver	L	1
Lumino Urban Vest silver XL	AX69944	silver	XL	1
Lumino Urban Vest silver XXL	AX90943	silver	XXL	1
Lumino Urban Vest silver XXXL	AX96034	silver	XXXL	1

## LUMINO REFLEX VEST

### FEATURES



### TECHNICAL DATA

- 100% polyester
- Fluorescent yellow material lights up as soon as light hits it
- UV-resistant material glows even after years of use.
- Four highly reflective stripes for very good visibility at night, but also very good visibility during the day.
- Visibility of 150 metres at night and 100 metres during the day
- Tab on the back of the waistcoat to attach a separate light (Easy Magnet Light/Indicator Light)
- Tested according to European Standard EN 17353:2020 (AB3)
- Extended back and good fit

Ref. No.	EAN 4003318	Colour	Size	Box Qty
Lumino Reflex Vest yellow M	AX69928	yellow	M	1
Lumino Reflex Vest yellow L	AX69935	yellow	L	1
Lumino Reflex Vest yellow XL	AX69936	yellow	XL	1
Lumino Reflex Vest yellow XXL	AX90942	yellow	XXL	1
Lumino Reflex Vest yellow XXXL	AX96033	yellow	XXXL	1

# LUMINO URBAN VEST KIDS

## FEATURES



## TECHNICAL DATA

- 100% polyester
- Fully reflective safety vest: Almost the entire surface of the safety vest is brightly illuminated by headlights.
- Colour coordinated stripes
- Visibility of 150 metres in the dark
- Tested according to European Standard EN 17353:2020 (B3)
- Excellent fit thanks to smooth-running branded zip

Ref. No.	EAN 4003318	Colour	Size	Box Qty
Lumino Urban Vest Kids silver S	AX69948	silver	S	1
Lumino Urban Vest Kids silver M	AX69949	silver	M	1
Lumino Urban Vest Kids silver L	AX69950	silver	L	1

# LUMINO REFLEX VEST KIDS

## FEATURES



## TECHNICAL DATA

- 100% polyester
- Fluorescent yellow material lights up as soon as light hits it
- UV-resistant material glows even after years of use.
- Four highly reflective stripes for very good visibility at night, but also very good visibility during the day.
- Visibility of 150 metres at night and 100 metres during the day
- Excellent fit thanks to smooth-running branded zip
- Tested according to European Standard EN 17353:2020 (AB3)

Ref. No.	EAN 4003318	Colour	Size	Box Qty
Lumino Reflex Vest Kids yellow S	AX69945	yellow	S	1
Lumino Reflex Vest Kids yellow M	AX69946	yellow	M	1
Lumino Reflex Vest Kids yellow L	AX69947	yellow	L	1





## LUMINO NIGHT COVER



### TECHNICAL DATA

- Rain cover with integrated USB backlight - made of four powerful red LEDs
- Continuous and flashing light function at the touch of a button
- Rechargeable via USB port
- LED light shines for up to 10 hours (after charging)
- 2 adjustable elastic straps for fitting to the backpack
- Visibility of 150 metres at night and 100 metres during the day
- Good workmanship thanks to Welded seams
- Waterproof rain cover

Ref. No.	EAN	Colour	Box Qty
Lumino Night Cover yellow	4003318 AX69954	yellow	1

## LUMINO X- URBAN COVER



### TECHNICAL DATA

- Fluorescent yellow material lights up as soon as light hits it
- Highly reflective stripes for very good visibility at night, but also very good visibility during the day.
- Visibility of 150 metres at night and 100 metres during the day
- 2 adjustable elastic straps for fitting to the backpack
- Good workmanship thanks to Welded seams
- Waterproof rain cover

Ref. No.	EAN	Colour	Box Qty
Lumino X-Urban Cover yellow/silver	4003318 AX69955	yellow/silver	1

# LUMINO REFLEX WRAP



## TECHNICAL DATA

- Fluorescent yellow material lights up as soon as light hits it
- Two highly reflective stripes for very good visibility at night, but also very good visibility during the day.
- UV-resistant material (meets the requirements of the European standard EN2471) shines even after years of use.
- Visibility of 150 metres at night and 100 metres during the day
- Flexible thanks to Velcro fastener (from approx. 82 to 108 cm circumference)

Ref. No.	EAN	Colour	Box Qty
Lumino Reflex Wrap yellow	4003318 AX69952	yellow	1



# LUMINO EASY MAGNET LIGHT



## TECHNICAL DATA

- Continuous light and flashing light function at the touch of a button
- Rechargeable via micro USB
- High-quality high-gloss material, yellow with 4 red LEDs
- The luminous band closes easily with the magnetic clasp
- LED light shines for up to 10 hours (after charging)
- Suitable for rainy weather thanks to fully welded-in, waterproof exterior
- Visibility of 150 metres at night and 100 metres during the day
- Tested according to European standard EN 13356:2001

Ref. No.	EAN 4003318	Colour	Size	Box Qty
Lumino Easy Magnet Light yellow	AX69960	yellow		1

# SUCCESSFUL SHOP DESIGN

How you design your shop is a significant part of your economic success from a psychological perspective. We help you in the process of making your showroom a customer-friendly area. By doing so, you do not only ensure successful sales today, but also in the future. Because your customers will always come back.

## 1. STAND OUT

Make your business stand out from the crowd and ensure that your customers feel comfortable in your shop with a warm atmosphere.

## 2. QUALITY WINS

Many years of experience, carefully thought out development processes and high-quality materials are significant for the products themselves as well as for the presentation aids. ABUS has the complete package.

## 3. BE REMEMBERED

Create experiences, that go beyond the simple provision and sale of goods. Touch, try out - go on a discovery tour. This is your advantage especially compared to online businesses.



## WE SUPPORT YOU IN SELLING OUR PRODUCTS

Your needs are very important to us. We support you in the process of creating experiences and transforming the purchase into an event, which you like to think back to - and that you want to repeat.

### MODULAR CONSTRUCTION:

Our new system is designed in such a way that it can be assembled in a modular way from various elements. You can influence the design.



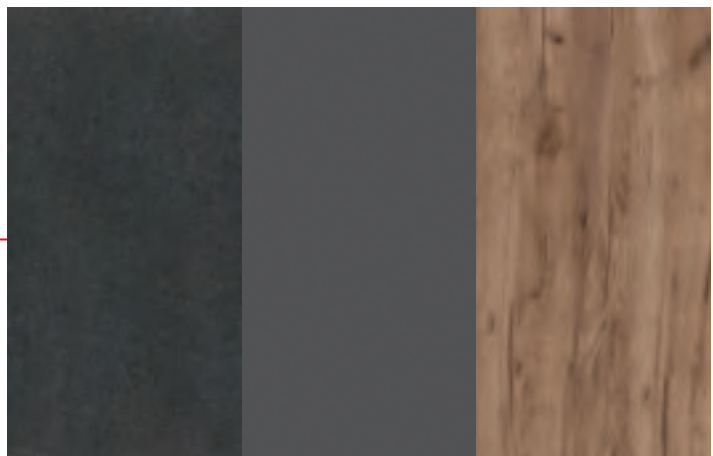
### NUMEROUS ADD-ONS:

Attract attention, help to categorize and inform - combine the tools just the way you need them.



### MODERN DESIGN:

Metal and wood elements combined in an understated „handmade“ look - won't disrupt the existing design of your shop.



Powder coating  
DB703 micro-  
structure

Graphite Grey  
Kronospan Decor  
0162

Tobacco Craft Oak  
Kronospan Decor  
K004

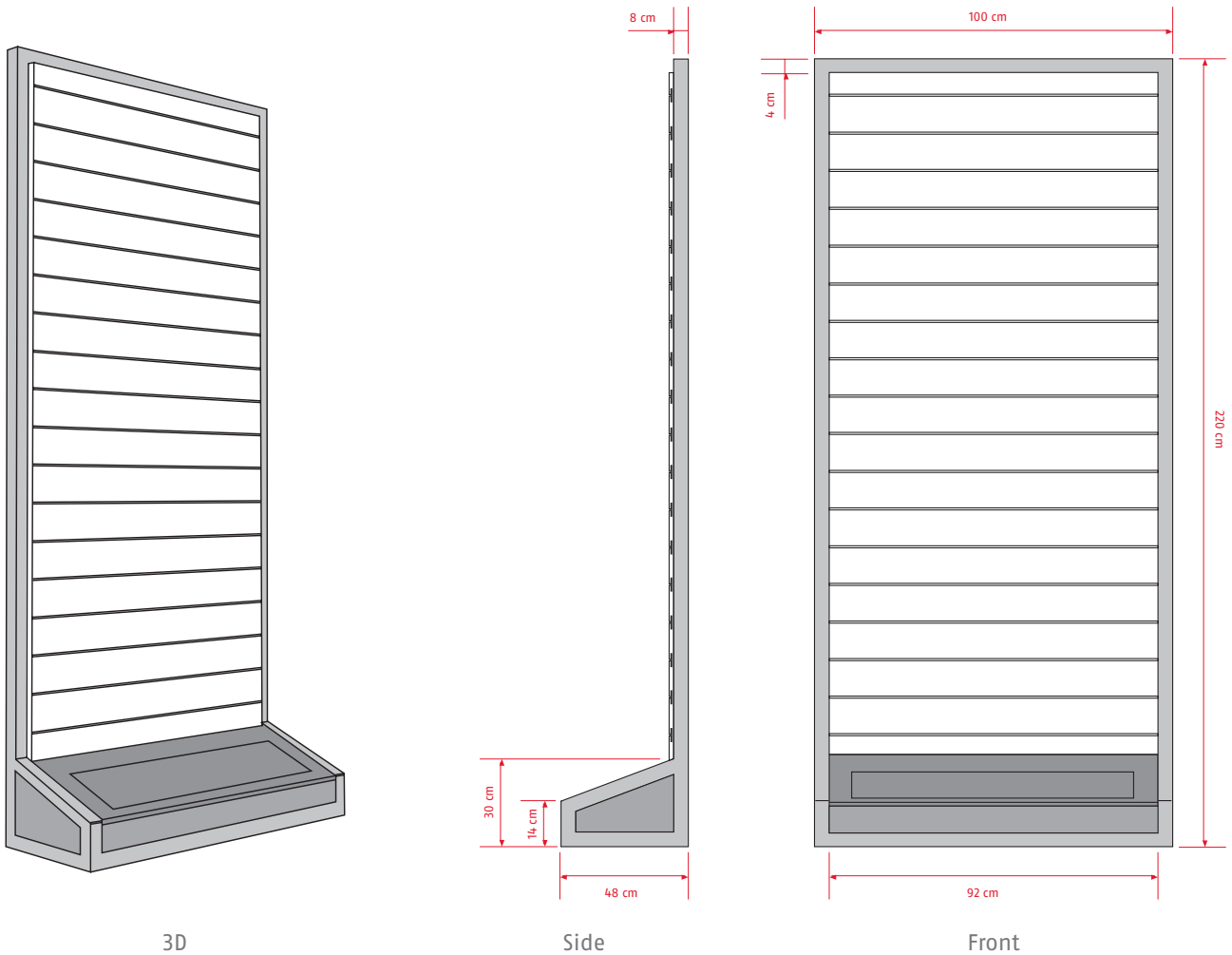
**PUT TOGETHER YOUR PERSONAL ABUS SALES AREA NOW!**

## WALL DISPLAY

Make full use of height and width of your walls to draw attention to the products. The combination of a solid base and stable back/rear wall ensures a secure stand.



## WALL DISPLAY DIMENSIONS:



## FEATURES WALL DISPLAY:

Available in 100 cm or 50 cm width, depth 35 cm

Height: 140-260 cm (variable in 40-cm-steps thanks to additional spacers)

Slatwall with option for power supply for lighting etc.



Base in wood look with interchangeable inlays

Optional with removable lid (usable as storage space)

Choose from our range of full-surface, illuminated picture elements



## BE INSPIRED

Our new product presentation system offers a wide range of possible combinations. You can choose and equip your displays to match your product range and your premises.



We do not undertake any liability for modifications in technology, changes in colour and errors. ABUS 07/2023  
VAT ID: DE 126881051  
RRP (Status 07/2022)

\*RRP= recommended retail price incl. the current valid sales tax



Security Tech Germany



© ABUS | August Bremicker Söhne KG

[abus.com](https://abus.com)

---

Altenhofer Weg 25  
58300 Wetter | Germany  
[mobilesecurity@abus.de](mailto:mobilesecurity@abus.de)  
+49 2335 - 634 0

---

PSI Cycling Pty Ltd  
18-24 Taras Avenue, Altona North, VIC 3025  
[Info@psimporters.com.au](mailto:Info@psimporters.com.au)  
[psicycling.com.au](https://psicycling.com.au)

Printed on paper from sustainable forests.  
Due to a policy of continual development, ABUS reserves the right to modify technical details & colours. E&OE ABUS © 2023

KAT MoSi 2024 Gesamt  
GB-GB ohne Preise

