

SCHWINN
Signature



2024
Dealer Book

SCHWINN
Signature



Bike Path

Sivica



SIVICA 7 MEN'S



SIVICA 7 WOMEN'S



Bike Path

Sivica

THE NEXT GREAT "EVERY DAY ADVENTURE" BICYCLE

Push past the status quo and embark on your next great "everyday adventure" on the Schwinn® Sivica. With a style that speaks to your individual personality, you will love your Sivica the moment you set eyes on it. The Schwinn® Sivica [siv-ik-a] emerged from the rising trend of neighborhood hopping and leisurely riding. The Sivica bike series combines modern styling and the ultimate comfort in geometry for one spectacular ride.



RIDER PROFILE

The Sivica rider has a bold personality, with an adventurous spirit. They demand a bike that can keep up to their lifestyle.

Sivica 7 26" MEN'S

BLACK • S37100M200S



▣ FRAME	6061 aluminum, 26" Relaxed Position Plus geometry, internal cable routing, replaceable hanger, 1 1/8 in headtube	✱ SPOKES	14G, stainless steel
↑ FORK	Schwinn, 26", steel steerer, 100 mm QR, rigid	🌀 TIRES	Schwinn cruiser, 26 in x 2.125 in, wire bead
⊖ CRANK	Schwinn aluminum, 44T	⊕ PEDALS	Schwinn comfort, nylon / Kraton
∅ CHAIN	KMC Z7	🦋 BRAKES	Linear pull, aluminum
⇄ BOTTOM BRACKET	VP, semi-cartridge, square taper, 68 mm	~ HANDLEBARS	Steel, 100 mm rise, 25.4 mm clamp
⊕ SHIFTERS	Shimano REVOSHIFT twist, 7-speed	🦋 STEM	Aluminum, quill, 30° rise, 25.4 mm clamp
🦋 REAR COG	Shimano TX-31, 7-speed, 14-34T	⊕ HEADSET	Threaded, ZS44, semi-cartridge bearings
🦋 REAR DERAILLEUR	Shimano Tourney RD-TY300	↑ SEAT POST	Aluminum, 300 mm, 17.5 mm offset, 27.2 mm
○ RIMS	Alex DC26, aluminum, double wall, 36H	🦋 SADDLE	Schwinn Comfort Cruiser with double spring and memory foam insert, steel rails
⇄ FRONT HUB	Aluminum, 9 mm x 100 mm QR, 36H	🦋 GRIPS	Schwinn Comfort, ergonomic stitched
⇄ REAR HUB	Aluminum, 10 mm x 135 mm QR, 36H	📏 SIZES	One size

Sivica 7 26" WOMEN'S

BLUE • S37100F300S

Bike Path

SIVICA



△ FRAME	6061 aluminum, 26" Relaxed Position Plus geometry, step-thru, internal cable routing, replaceable hanger, 1 1/8 in headtube	✱ SPOKES	14G, stainless steel
↑ FORK	Schwinn, 26", steel steerer, 100 mm QR, rigid	🌀 TIRES	Schwinn cruiser, 26 in x 2.125 in, wire bead
⊖ CRANK	Schwinn aluminum, 44T	⊞ PEDALS	Schwinn comfort, nylon / Kraton
∞ CHAIN	KMC Z7	🛞 BRAKES	Linear pull, aluminum
⇄ BOTTOM BRACKET	VP, semi-cartridge, square taper, 68 mm	└ HANDLEBARS	Steel, 100 mm rise, 25.4 mm clamp
⊕ SHIFTERS	Shimano REVOSHIFT twist, 7-speed	└ STEM	Aluminum, quill, 30° rise, 25.4 mm clamp
▮ REAR COG	Shimano TX-31, 7-speed, 14-34T	⚙ HEADSET	Threaded, ZS44, semi-cartridge bearings
🌀 REAR DERAILLEUR	Shimano Tourney RD-TY300	└ SEAT POST	Aluminum, 300 mm, 17.5 mm offset, 27.2 mm
○ RIMS	Alex DC26, aluminum, double wall, 36H	📉 SADDLE	Schwinn Comfort Cruiser with double spring and memory foam insert, steel rails
⇄ FRONT HUB	Aluminum, 9 mm x 100 mm QR, 36H	🌀 GRIPS	Schwinn Comfort, ergonomic stitched
⇄ REAR HUB	Aluminum, 10 mm x 135 mm QR, 36H	📏 SIZES	One size



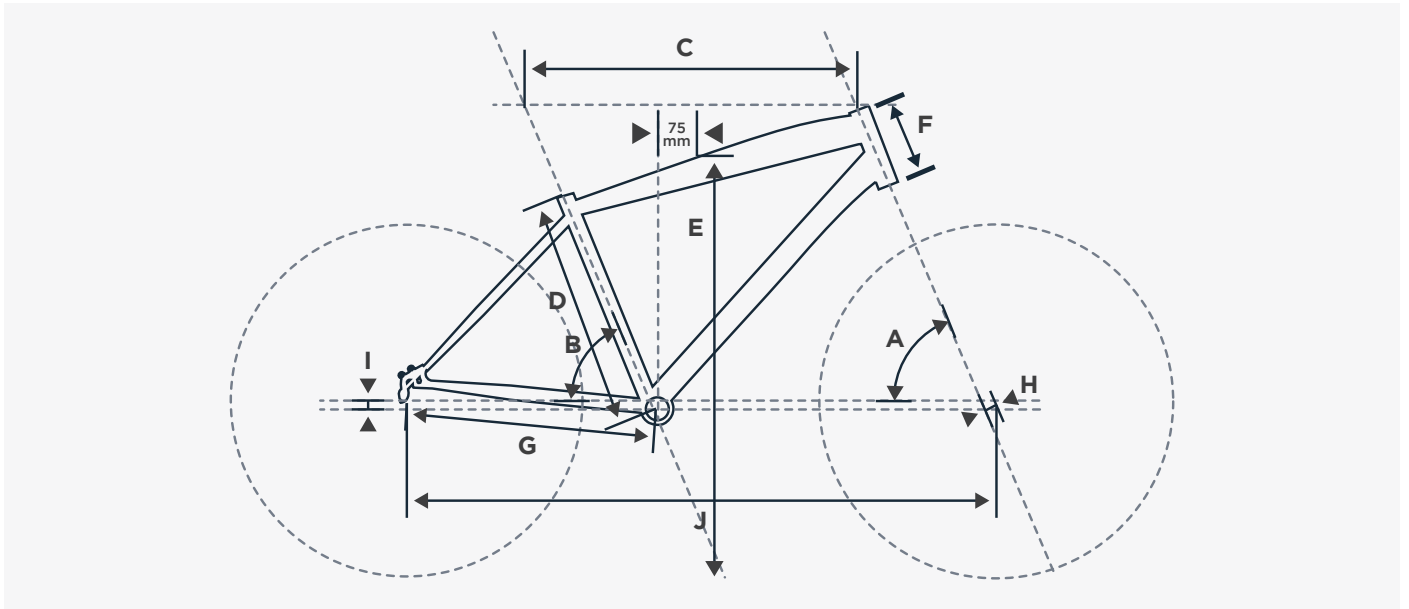
CORAL S37100F400S



CREAM S37100F200S



TEAL S37100F100S



A	B	C	D	E	F	G	H	I	J						
HEAD TUBE ANGLE (degrees)	SEAT TUBE ANGLE (degrees)	HORIZONTAL TOP TUBE LENGTH (mm)	SEAT TUBE LENGTH (mm)	STANDOVER HEIGHT (mm)	HEAD TUBE LENGTH (mm)	CHAINSTAY LENGTH (mm)	FORK OFFSET (mm)	BOTTOM BRACKET DROP (mm)	WHEELBASE (mm)	STEM LENGTH (mm)	BAR WIDTH (mm)	STACK (mm)	REACH (mm)	CRANK LENGTH (mm)	SEAT POST SIZE (mm)

Sivica 7 MEN'S

ONE SIZE	68.5	63.6	660	499	816	230	590	50	35	1177	100	640		170	27.2
-----------------	------	------	-----	-----	-----	-----	-----	----	----	------	-----	-----	--	-----	------

Sivica 7 WOMEN'S

ONE SIZE	68.5	63.6	645	450	597	210	590	50	35	1169	80	640		170	27.2
-----------------	------	------	-----	-----	-----	-----	-----	----	----	------	----	-----	--	-----	------

SCHWINN
Signature



Urban

Classic



TRAVELER MEN'S



TRAVELER WOMEN'S

Hybrid



FORDHAM



Urban **Traveler**

**FALL IN LOVE WITH YOUR CITY
ALL OVER AGAIN BY BIKE**

Riding around your city on these classic beauties is inspirational. These American Classic bikes demand owners take them out and explore the city. The Schwinn® Urban Classic line offers vintage aesthetics with a fresh contemporary and updated riding experience. The perfect bike for city riding has to be reliable, should keep you free of road debris, store your bags as you do your errands or ride to work, and it has to be able to provide speed. The Schwinn® Urban Classic line does all that and more.



**RIDER
PROFILE**

The classic urban/city rider who craves riding on a beautifully styled bike for simple commuting and errands.

Traveler 700C MEN'S

GREY • S32208M60



Urban

CLASSIC

∇	FRAME	Hi-Ten steel, 700c classic geometry, semi-horizontal drop out, 1 in headtube
↑	FORK	Schwinn, 700c, steel steerer, 100 mm bolt-on, rigid
⊖	CRANK	Urban aluminum, 46T
∅	CHAIN	KMC Z7
⇄	BOTTOM BRACKET	VP, semi-cartridge, square taper, 68 mm
⊕	SHIFTERS	Shimano REVOSHIFT twist, 7-speed
≡	REAR COG	Shimano TX-31, 7-speed, 14-34T
∞	REAR DERAILLEUR	Shimano Altus RD-M310
○	RIMS	Stars Circle, aluminum, double wall, 36H
⇄	FRONT HUB	Aluminum, 100 mm bolt-on, 36H
⇄	REAR HUB	Aluminum, 135 mm bolt-on, 36H

✱	SPOKES	14G, stainless steel
⊗	TIRES	Urban, 700c x 38c, wire bead
⊕	PEDALS	Urban, nylon / Kraton
⊖	BRAKES	Caliper, aluminum
~	HANDLEBARS	Steel, 110 mm rise, 25.4 mm clamp
⊖	STEM	Aluminum, quill, 30° rise, 25.4 mm clamp
⊕	HEADSET	Threaded, EC30, loose ball bearing
↑	SEAT POST	Steel, 300 mm, 25.4 mm
▷	SADDLE	Schwinn classic urban, steel rails
☞	GRIPS	Schwinn urban
≡	SIZES	MD, LG

Traveler 700C WOMEN'S

MINT • S32107F25

Urban

STREET



△	FRAME	Hi-Ten steel, 700c step-thru classic geometry, semi-horizontal drop out, 1 in headtube	✱	SPOKES	14G, stainless steel
↑	FORK	Schwinn, 700c, steel steerer, 100 mm bolt-on, rigid	🌀	TIRES	Urban, 700c x 38c, wire bead
⚙️	CRANK	Urban aluminum, 46T	👣	PEDALS	Urban, nylon / Kraton
🔗	CHAIN	KMC Z7	🛑	BRAKES	Caliper, aluminum
⇄	BOTTOM BRACKET	VP, semi-cartridge, square taper, 68 mm	┌	HANDLEBARS	Steel, 110 mm rise, 25.4 mm clamp
⊕	SHIFTERS	Shimano REVOSHIFT twist, 7-speed	└	STEM	Aluminum, quill, 30° rise, 25.4 mm clamp
🏍️	REAR COG	Shimano TX-31, 7-speed, 14-34T	⚙️	HEADSET	Threaded, EC30, loose ball bearing
🔗	REAR DERAILLEUR	Shimano Altus RD-M310	↑	SEAT POST	Steel, 300 mm, 25.4 mm
○	RIMS	Stars Circle, aluminum, double wall, 36H	📉	SADDLE	Schwinn classic urban, steel rails
⇄	FRONT HUB	Aluminum, 100 mm bolt-on, 36H	👤	GRIPS	Schwinn urban
⇄	REAR HUB	Aluminum, 135 mm bolt-on, 36H	📏	SIZES	SM, MD



Urban

STREET



Urban **Fordham**

**THE SCHWINN FORDHAM 26" COMFORT BIKE
IS ALL ABOUT COMFORT AND A FUN RIDE.**

It features an aluminum frame with a step-thru design and an upright riding position. The front suspension, memory foam saddle, and spring seat post ensure a comfortable ride, and absorb bumps from uneven paths and streets.



RIDER PROFILE

The urban rider who values comfort on a beautifully styled bike for simple commuting and errands.

Fordham UNISEX 26"

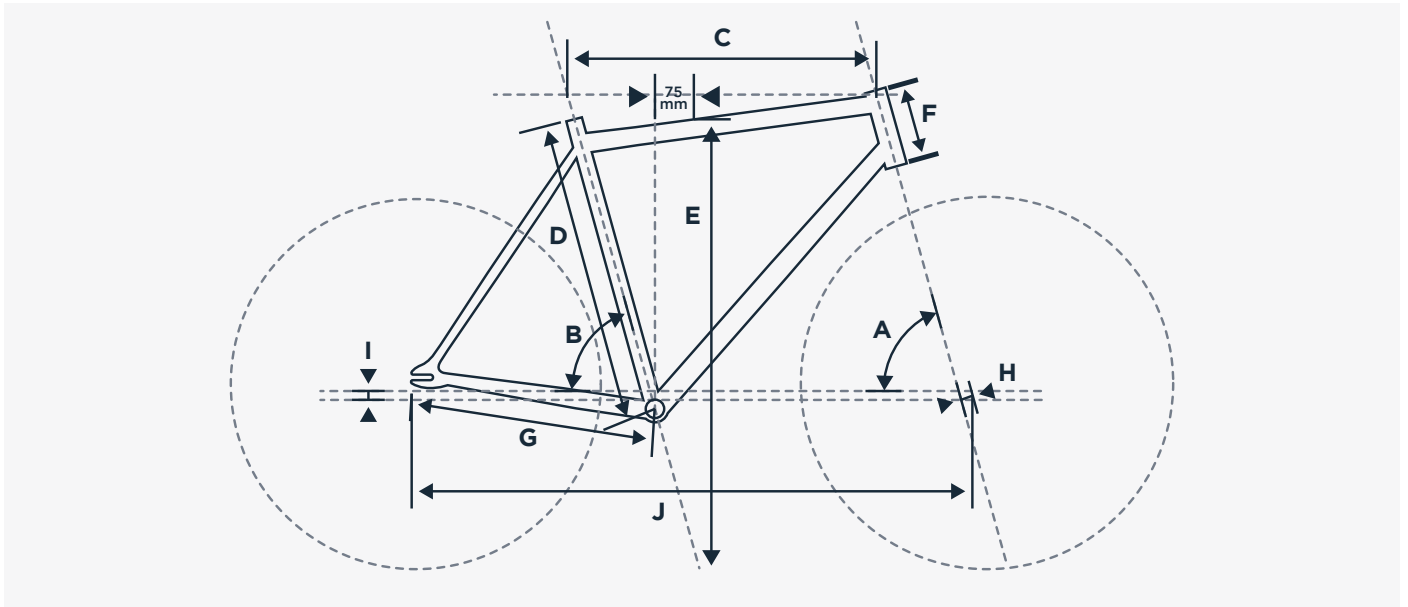
MINT • S8089



Urban

HYBRID

∇	FRAME	Aluminum, 10 mm x 141 mm dropout, replaceable hanger, 1 1/8 in headtube	✱	SPOKES	14G, stainless steel
↑	FORK	50mm Travel Alloy Crown, Steel lowers	⊞	TIRES	Innova IA-2026 26"x1.95"
⊖	CRANK	Prowheel, aluminum, 42/34/24T	⊞	PEDALS	Schwinn, nylon / Kraton, reflector
∅	CHAIN	KMC	⊞	BRAKES	Linear pull, aluminum
⇄	BOTTOM BRACKET	Feimin, loose ball bearing, square taper, 68 mm	~	HANDLEBARS	Schwinn, steel, 620 mm width, 110 mm rise, 25.4 mm clamp
⊕	SHIFTERS	Microshift, 21-speed	⊞	STEM	Schwinn, aluminum, threadless, 60 mm, 25.4 mm clamp, 25.4 mm clamp
⊞	REAR COG	7 speed 14-34T	⊞	HEADSET	Threadless, semi-cartridge bearings
↗	FRONT DERAILLEUR	42/34/24T	↑	SEAT POST	Aluminum, 300 mm, 27.2 mm
↘	REAR DERAILLEUR	Microshift	⊞	SADDLE	Comfort Elastomer Saddle with Memory Foam
○	RIMS	Alex DC26, aluminum, aluminum double wall, 32H	⊞	GRIPS	Schwinn, dual density
⇄	FRONT HUB	Aluminum, 100 mm bolt-on, 36H	≡	SIZES	SM, MD, LG
⇄	REAR HUB	KT, aluminum, 10 mm x 141 mm QR, 32H			



A	B	C	D	E	F	G	H	I	J							
HEAD TUBE ANGLE (degrees)	SEAT TUBE ANGLE (degrees)	HORIZONTAL TOP TUBE LENGTH (mm)	SEAT TUBE LENGTH (mm)	STANDOVER HEIGHT (mm)	HEAD TUBE LENGTH (mm)	CHAINSTAY LENGTH (mm)	FORK OFFSET (mm)	BOTTOM BRACKET DROP (mm)	WHEELBASE (mm)	STEM LENGTH (mm)	BAR WIDTH (mm)	STACK (mm)	REACH (mm)	CRANK LENGTH (mm)	SEAT POST SIZE (mm)	

Traveler MEN'S

MD	69	69	595	482	757	100	475	50	65	1094.1	85	600		165	25.4
LG	69	69	600	558	800	125	475	50	65	1099	85	600		170	25.4

Traveler WOMEN'S

SM	69	69	595	431.8	589	95	475	50	65	1094.1	85	600		165	25.4
MD	69	69	595	482	607	125	475	50	65	1094.1	85	600		170	25.4

Fordham UNISEX

SM	70	69	590	350	507.7	160	460	42	55	1058.6	108	620	642	343.5	170	27.2
MD	70	69	600	405	510.7	170	460	42	55	1068.4	108	620	651.4	349.9	170	27.2
LG	70	69	610	460	513.9	180	460	42	55	1078.2	108	620	660.9	356.3	170	27.2

SCHWINN
Signature



Cruiser

S Series



S1 MEN'S



S1 WOMEN'S

Specialty



TANGO TANDEM UNISEX



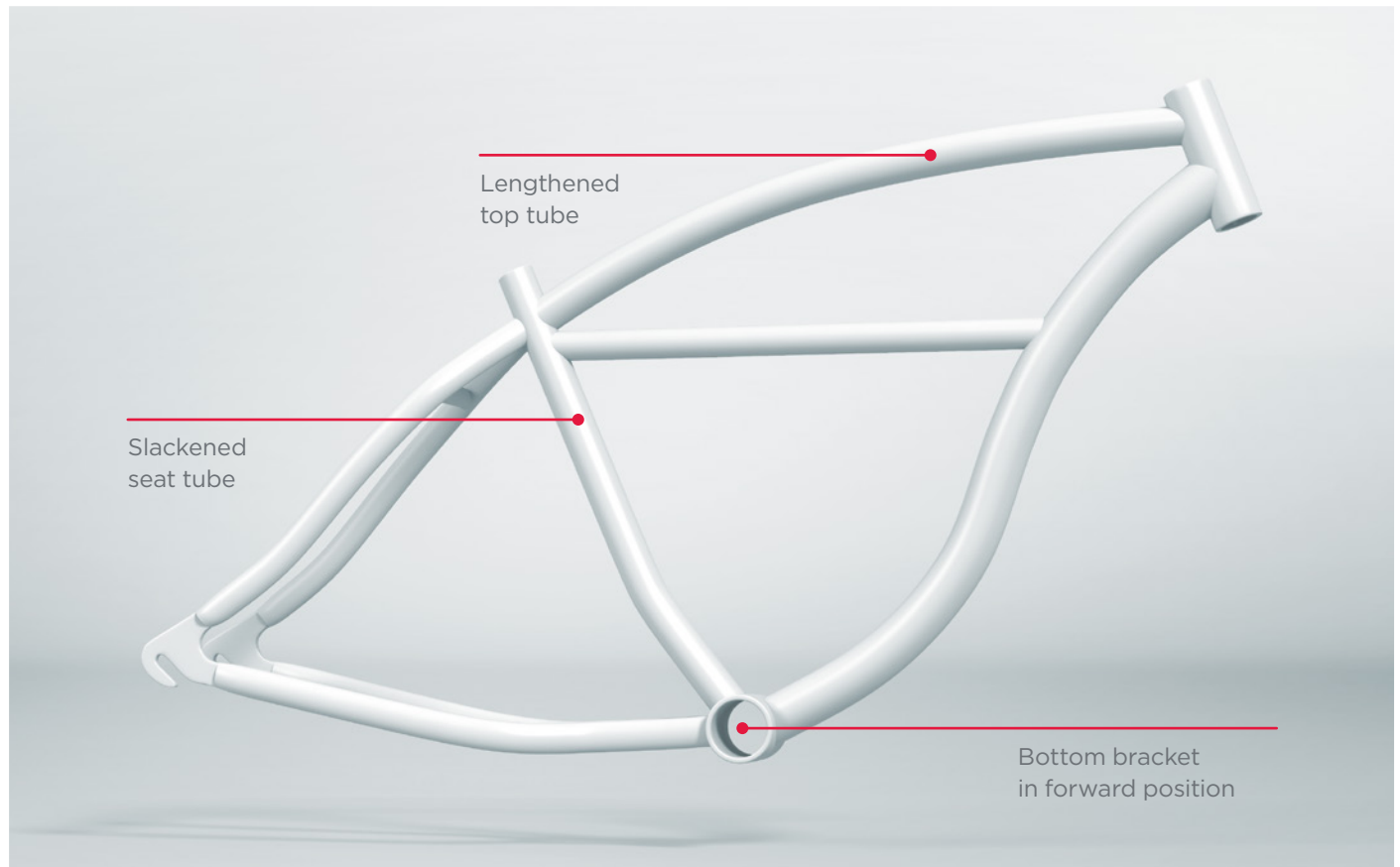
TOWN & COUNTRY UNISEX

RELAXED POSITION



Find your comfort zone and be in control

The new frame geometries, Relaxed Position and Relaxed Position Plus, were designed to address the casual rider's desire for a bicycle that provides a comfortable, easy, and in control ride.



FIND YOUR COMFORT ZONE AND BE IN CONTROL

The new frame geometries, Relaxed Position and Relaxed Position Plus, were designed to address the casual rider's desire for a bicycle that provides a comfortable, easy, and in control ride.

STABLE RIDE

A slackened riding position creates the proper leg extension for ease of pedaling and efficiency while allowing the rider to touch the ground when seated.

POSTURE CONFIDENCE

The saddle is positioned back and set low while the top tube is lengthened for a riding posture that is relaxed and creates a stronger feeling of balance for the rider.

PEDAL EFFICIENCY

The bottom bracket is slightly forward, creating proper leg extension and improving efficiency while pedaling.

RELAXED POSITION PLUS



RELAXED POSITION PLUS

Geometry with an extended wheelbase, featured on the Sivica.



FEATURED MODELS S1 and Sivica 7



Cruiser **S Series**

A BICYCLE THAT BRINGS THE FUN BACK UNDER THE SUN

Enjoying the pleasure of cruising down the boardwalk has never been easier or at such a great value. The simplicity and joy of the S Series Schwinn® cruisers come to life with the vintage look that feels fresh. With key components that add to the comfort and appeal of these bikes and an array of modern colors, you are sure to see an S series cruiser on the next boardwalk you visit.



RIDER PROFILE

The carefree rider with a taste for vintage, color, and comfort. This rider is truly enjoying their time spent both on and off the bike in the sun

S1 26" MEN'S

MIDNIGHT BLACK • S39101M100S



∇	FRAME	Hi-Ten steel, 26" Relaxed Position geometry, semi-horizontal drop out, 1 in headtube
↑	FORK	Schwinn, 26", steel steerer, 100 mm bolt-on, rigid
⊕	CRANK	Steel 1-piece, 44T
○	CHAIN	KMC Z410A
⇄	BOTTOM BRACKET	Loose ball bearing, press cup
≡	REAR COG	1-speed, 18T
○	RIMS	Stars Circle, aluminum, single wall, 36H
⇄	FRONT HUB	Aluminum, 100 mm bolt-on, 36H
⇄	REAR HUB	Aluminum, 110 mm bolt-on coaster brake, 36H
✱	SPOKES	14G, stainless steel

⊗	TIRES	Cruiser, 26 in x 2.125 in, wire bead
⊕	PEDALS	Schwinn classic cruiser, nylon
⊖	BRAKES	Coaster, steel
⌒	HANDLEBARS	Cruiser, steel, 25.4 mm clamp
⌒	STEM	Aluminum, quill, 30° rise, 25.4 mm clamp
⊙	HEADSET	Threaded, EC30, loose ball bearing
↑	SEAT POST	Steel, 300 mm, 25.2 mm
⌒	SADDLE	Schwinn cruiser with elastomer spring, steel rails
⌒	GRIPS	Schwinn classic
≡	SIZES	One size



RACING RED S39101M200S

S1 26" WOMEN'S

COTTON CANDY PINK • S39101F100S

Cruiser

S SERIES



△ FRAME	Hi-Ten steel, 26" step-thru Relaxed Position geometry, semi-horizontal drop out, 1 in headtube	🌀 TIRES	Cruiser, 26 in x 2.125 in, wire bead
↑ FORK	Schwinn, 26", steel steerer, 100 mm bolt-on, rigid	⚙️ PEDALS	Schwinn classic cruiser, nylon
⚙️ CRANK	Steel 1-piece, 44T	🛑 BRAKES	Coaster, steel
🔗 CHAIN	KMC Z410A	🏍️ HANDLEBARS	Cruiser, steel, 25.4 mm clamp
🔗 BOTTOM BRACKET	Loose ball bearing, press cup	🏍️ STEM	Aluminum, quill, 30° rise, 25.4 mm clamp
🏍️ REAR COG	1-speed, 18T	⚙️ HEADSET	Threaded, EC30, loose ball bearing
🔗 RIMS	Stars Circle, aluminum, single wall, 36H	🏍️ SEAT POST	Steel, 300 mm, 25.2 mm
🔗 FRONT HUB	Aluminum, 100 mm bolt-on, 36H	🏍️ SADDLE	Schwinn cruiser with elastomer spring, steel rails
🔗 REAR HUB	Aluminum, 110 mm bolt-on coaster brake, 36H	🏍️ GRIPS	Schwinn classic
✳️ SPOKES	14G, stainless steel	🏍️ SIZES	One size



RUBY RED S39101F300S



Cruiser **Specialty**

**MAKE A STATEMENT AND STAND
OUT FROM THE CROWD**

Do you crave a little something more than the traditional cruiser? Cup holders, horns, baskets, headlights, three wheels, and even two seats add a little something different to these rides and set the Specialty cruiser category apart. Schwinn® Specialty cruisers have a classic, throwback look with upright seating, plush saddles, full fenders, and an array of drivetrain options that keep the rider comfortable and at ease.



RIDER PROFILE

The rider of a Schwinn® Specialty cruiser is looking for a unique bicycle that speaks to their personality and is a showstopper on the road.

Tango Tandem 26" UNISEX

SILVER • SU1360OS01

Cruiser

SPECIALTY



∇ FRAME	6061 aluminum, 26" dual cupholder tandem classic geometry, semi-horizontal drop out, 1 1/8 in headtube
↑ FORK	Schwinn, 26", steel steerer, 100 mm bolt-on, rigid
⊖ CRANK	Tandem aluminum, 36T/39T
∅ CHAIN	KMC Z7
⇨ BOTTOM BRACKET	VP, cartridge, square taper, threaded 68 mm eccentric adjustment front
⊕ SHIFTERS	SRAM MRX twist, 7-speed
▮ REAR COG	Shimano TX-31, 7-speed, 14-34T
⚙ REAR DERAILLEUR	Shimano Tourney RD-TY300
○ RIMS	Wienmann ZAC-19, aluminum, double wall, 36H
⇨ FRONT HUB	Aluminum, 100 mm bolt-on, 36H
⇨ REAR HUB	Aluminum, 135 mm bolt-on, 36H

✳ SPOKES	14G, stainless steel
⊗ TIRES	Schwinn cruiser, 26 in x 2.125 in, wire bead
⊕ PEDALS	Urban, nylon / Kraton
⚙ BRAKES	Linear pull, aluminum
~ HANDLEBARS	Cruiser, steel, 25.4 mm clamp
⇨ STEM	Aluminum, quill/steel adjustable, 30° rise, 25.4 mm clamp
⊕ HEADSET	Threaded, EC34, loose ball bearing
↑ SEAT POST	Steel, 300 mm, 27.2 mm
⇨ SADDLE	Schwinn Classic cruiser with double spring, steel rails
⇨ GRIPS	Schwinn urban
☰ SIZES	One size

Town & Country 26" UNISEX

CLASSIC RED • S39308U500S

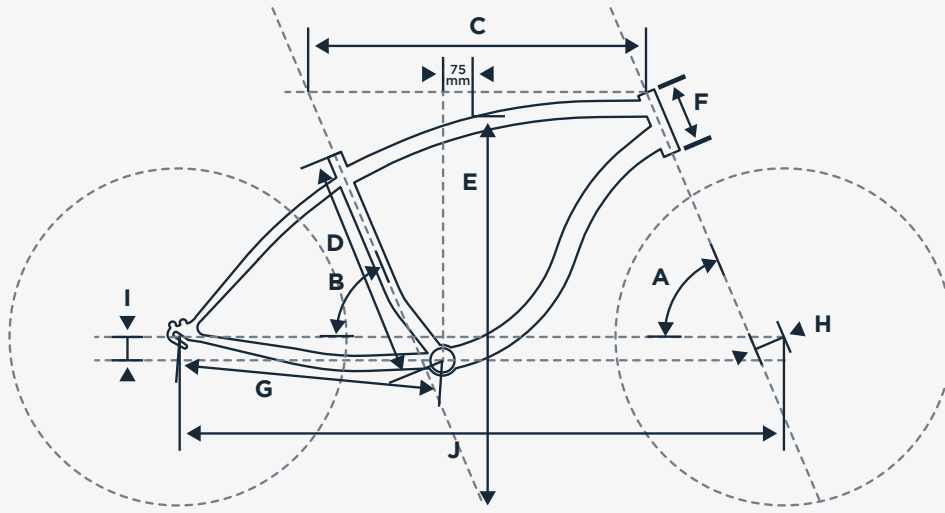
Cruiser

SPECIALTY



△ FRAME	6061 aluminum, 26" cupholder trike classic geometry, 1 1/8 in headtube	⚙️ TIRES	Schwinn cruiser, 26 in x 2.125 in, wire bead
↑ FORK	Schwinn, 26", steel steerer, 100 mm bolt-on, rigid	⚙️ PEDALS	Urban, nylon / Kraton
⚙️ CRANK	Schwinn aluminum, 38T	🚗 BRAKES	Linear pull front coaster rear, aluminum
🔗 CHAIN	KMC Z410A	🏍️ HANDLEBARS	Cruiser, steel, 25.4 mm clamp
🔗 BOTTOM BRACKET	VP, semi-cartridge, square taper, 68 mm	🏍️ STEM	Aluminum, quill, 30° rise, 25.4 mm clamp
⊕ SHIFTERS	Sunrace twist, 3-speed	⚙️ HEADSET	Threaded, EC34, loose ball bearing
🏍️ REAR COG	1-speed, 22T/19T	🏍️ SEAT POST	Aluminum, 350 mm, 15 mm offset, 30.4 mm
○ RIMS	Aluminum, single wall, 36H	🏍️ SADDLE	Schwinn Classic cruiser with double spring, steel rails
🔗 FRONT HUB	Aluminum, 100 mm bolt-on, 36H	🏍️ GRIPS	Schwinn classic cruiser, Kraton
🔗 REAR HUB	Sunrace TS-RC3/steel trike bolt-on, aluminum, 36H	🏍️ SIZES	One size
✳️ SPOKES	14G, stainless steel		





A	B	C	D	E	F	G	H	I	J							
HEAD TUBE ANGLE (degrees)	SEAT TUBE ANGLE (degrees)	HORIZONTAL TOP TUBE LENGTH (mm)	SEAT TUBE LENGTH (mm)	STANDOVER HEIGHT (mm)	HEAD TUBE LENGTH (mm)	CHAINSTAY LENGTH (mm)	FORK OFFSET (mm)	BOTTOM BRACKET DROP (mm)	WHEELBASE (mm)	STEM LENGTH (mm)	BAR WIDTH (mm)	STACK (mm)	REACH (mm)	CRANK LENGTH (mm)	SEAT POST SIZE (mm)	

S1 MEN'S

ONE SIZE	70	67	646	445	742	130	518	45	45	1119.6	100	680			165	25.4
-----------------	----	----	-----	-----	-----	-----	-----	----	----	--------	-----	-----	--	--	-----	------

S1 WOMEN'S

ONE SIZE	70	67	646	445	742	130	518	45	45	1119.6	100	650			165	25.4
-----------------	----	----	-----	-----	-----	-----	-----	----	----	--------	-----	-----	--	--	-----	------

Tango Tandem UNISEX

ONE SIZE	70	67.9			726	130	493	65	0	1854.3						
-----------------	----	------	--	--	-----	-----	-----	----	---	--------	--	--	--	--	--	--

Town & Country UNISEX

ONE SIZE	70	71.5	701	398	479	130	478	45	58.6	1209.8	85	690			170	27.2
-----------------	----	------	-----	-----	-----	-----	-----	----	------	--------	----	-----	--	--	-----	------



eBike

Voador



VOADOR MEN'S



VOADOR STEP-THRU
WOMEN'S

Kettle Valley



KETTLE VALLEY STEP-THRU
WOMEN'S

Voador MEN'S

GREY • S7528

eBike

VOADOR



△	FRAME	6061 T6 aluminium, internal DT battery	⇄	REAR HUB	Jiabo 36V, 250W brushless geared
↑	FORK	Aluminium leg with steel steerer tube	✦	SPOKES	Stainless steel black ED finish, 14g front, 13g rear
Ⓛ	MOTOR	Jiabo 36V 250W brushless geared drive	⋯	TYRES	650bx50 ebike specific w/shark skin puncture protection
🔋	BATTERY	36v lithium ion 18650 cell, 374 watt hour capacity	⊞	PEDALS	Resin body
Ⓜ	HEAD UNIT	Bar mounted LED	🛞	BRAKES	Hydraulic disc with motor cutoff levers 180/160 rotors
⊖	CRANK	Forged aluminium with 42t chainring	~	HANDLEBARS	Oversized aluminium gullwing design
○	CHAIN	KMC Z9	🔧	STEM	Forged aluminium threadless, front load 31.8mm clamp
⇄	BOTTOM BRACKET	Sealed cartidge bearing w/ pas sensor	↑	SEAT POST	Aluminium, micro adjust
⊕	SHIFTERS	Shimano alivio rapid fire 9sp, rear only	📉	SADDLE	Sport comfort design
🔧	REAR COG	9SP 11-32T	👉	GRIPS	Kraton rubber
🔧	REAR DERAILLEUR	Shimano RD-T4000 alivio	📏	SIZES	SM - 16", MD - 19", LG - 21"
○	RIMS	Double wall aluminium, 19mm inner width			
⇄	FRONT HUB	Aluminium QR, 36H			

Voador WOMEN'S

TEAL • S7528



ebike

VOADOR

△	FRAME	6061 T6 aluminium, internal DT battery
↑	FORK	Aluminium leg with steel steerer tube
⚙️	MOTOR	Jiabo 36V 250W brushless geared drive
🔋	BATTERY	36v lithium ion 18650 cell, 374 watt hour capacity
💡	HEAD UNIT	Bar mounted LED
⚙️	CRANK	Forged aluminium with 42t chainring
🔗	CHAIN	KMC Z9
🛡️	BOTTOM BRACKET	Sealed cartiedge bearing w/ pas sensor
⚙️	SHIFTERS	Shimano alivio rapid fire 9sp, rear only
🔗	REAR COG	9SP 11-32T
🔗	REAR DERAILLEUR	Shimano RD-T4000 alivio
🔗	RIMS	Double wall aluminium, 19mm inner width
🔗	FRONT HUB	Aluminium QR, 36H

🔗	REAR HUB	Jiabo 36V, 250W brushless geared
✳️	SPOKES	Stainless steel black ED finish, 14g front, 13g rear
🔗	TYRES	650bx50 ebike specific w/shark skin puncture protection
🔗	PEDALS	Resin body
🔗	BRAKES	Hydraulic disc with motor cutoff levers 180/160 rotors
🔗	HANDLEBARS	Oversized aluminium gullwing design
🔗	STEM	Forged aluminium threadless, front load 31.8mm clamp
🔗	SEAT POST	Aluminium, micro adjust
🔗	SADDLE	Sport comfort design
🔗	GRIPS	Kraton rubber
🔗	SIZES	SM - 16", MD - 19"

Kettle Valley 700C

BLACK • SCS7519AUS

eBike

KETTLE VALLEY



△ FRAME	6061 T6 Aluminium, low step through design with internal DT battery	⇄ REAR HUB	Jiabo 36V, 250W brushless geared
↑ FORK	Aluminium leg with steel steerer tube	✳ SPOKES	Black finish, 14G front, 13G rear
ⓘ MOTOR	Jiabo 36V 250W brushless geared drive	⋯ TYRES	700x35 inverted tread eBike specific
📱 BATTERY	36V Lithium Ion 18650 cell, 374 watt hour capacity	⊞ PEDALS	Resin body
Ⓜ HEAD UNIT	Bar mounted LED	🛞 BRAKES	Mechanical disc w/ motor cutoff levers 180/160 rotors
⚙ CRANK	170mm 3PC Aluminium w/ 42T chainring	~ HANDLEBARS	Aluminium 50mm rise, 650mm wide
🔗 CHAIN	KMC Z7	🔧 STEM	Aluminium threadless adjustable rise, front load 31.8mm clamp
⇄ BOTTOM BRACKET	Sealed cartridge bearing w/ passive sensor	📏 SEAT POST	Aluminium/steel suspension post
⊕ SHIFTERS	Shimano RS-35 7SP revoshift, rear only	📅 SADDLE	Comfort design
🔙 REAR COG	7SP 14-28T	👉 GRIPS	Kraton/vinyl with stitched cover
🔗 REAR DERAILLEUR	Shimano RD-TZ31	📏 SIZES	One size 17"
○ RIMS	Double wall Aluminium, 19mm inner width		
⇄ FRONT HUB	KT Aluminium QR, 36h		

Kettle Valley

Don't let hills or distance stand in your way - enjoy the ride wherever you go with the Kettle Valley electric bike by Schwinn. A fun, nimble e-bike that will get you wherever you're going with style and ease. Swing a leg through the aluminum low-step frame and you'll be instantly reminded how fun bike riding can be. The Kettle Valley includes full wrap front and rear fenders and a rear rack to keep you riding no matter the weather or tasks you need to accomplish.

eBike

KETTLE VALLEY



MORE CAPABLE

A 7 speed, 14-28 rear cog mounted on a 36 volt, 250 watt brushless hub means that you have all of the gears and power you need to tackle anything on your daily commute.

HEAD UNIT

A high visibility bar mounted head unit means that you'll always have the information you need at hand without any confusing extras.



BETTER RIDE AND SAFER BRAKING

Equipped with a suspension fork, motor cut-toff brake levers and large 160mm and 180mm disc rotors to help you stop safely when you brake and soak up any bumps and help you stay in control.

SADDLE

Comfortable city-style seat and suspension seat post.

RIDE FURTHER

The hidden 36 Volt Lithium Ion 18650 cell, 374 watt hour internal battery will keep you riding for longer.



FEATURED MODELS Kettle Valley



SCHWINN[®]
[schwinnbikes.com](https://www.schwinnbikes.com)



© 2024 PSI CYCLING